

Reference No.	Part No.	Description	Quantity	Reference No.	Part No.	Description	Quantity	Reference No.	Part No.	Description	Quantity
1	HD-360-621	Centershaft	1	22	HD-360-651	Worm Gear	1	47	HD-360-676	1/8" x 1" Keystock	1
2	HD-360-635	Centershaft Screw	6	23	HD-360-652	1/2"-13 x 1-1/4" Socket Head Cap Screw	6	48	HD-360-677	Retainer Bushing	1
3	HD-360-625	Lift Collar	1	24	HD-360-653	Air Motor Adapter	1	49	HD-360-678	1/4"-20 x 1" Socket Head Cap Screw	1
4	HD-360-626	Eyebolt	2	25	HD-360-654	5/16"-18 x 1" Socket Head Cap Screw	4	50	HD-360-679	Feed Handle	4
5	HD-360-627	Hex Nut	2	26	HD-360-655	Driveshaft	1	51	HD-360-680	Feed Handle Knob	4
6	HD-360-628	Draw Rod	1	27	HD-360-656	Driveshaft Seal	1	52	HD-360-681	3/8"-16 x 1" Socket Head Cap Screw	14
7	HD-360-629	Washer - Draw Rod	1	28	HD-360-657	Front Driveshaft Bearing	1	53	HD-360-682	Feed Nut Thrust Bearing	1
8	HD-360-637	Face Plate, 24" Diameter	1	29	HD-360-658	Driveshaft Thrust Bearing	2	54	HD-360-683	Feed Nut	1
9	HD-360-754	Face Plate, 30" Diameter	1	30	HD-360-659	Steel Worm	1	55	HD-360-684	Helical Gear, Feed Nut	1
10	HD-360-638	Seal	1	31	HD-360-660	3/16" x 1-3/4" Keystock	1	56	HD-360-685	1/4"-20 x 1" Socket Head Cap Screw	4
11	HD-360-639	1/2"-13 x 2" Socket Head Cap Screw	8	32	HD-360-661	Inner Race	1	57	HD-360-686	End Cap Bearing	1
12	HD-360-640	Tool Block, 24" Face Plate	1	33	HD-360-662	Rear Driveshaft Bearing	1	58	HD-360-687	End Cap	1
13	HD-360-641	3/8"-16 x 5/8" Set Screw	16	34	HD-360-663	Feed Shaft	1	59	HD-360-688	3/8"-16 x 1" Socket Head Cap Screw	7
14	HD-360-642	3/8"-16 x 1" Socket Head Cap Screw	3	35	HD-360-664	Rear Housing	1	60	HD-360-689	1/2"-14 NPT Plug	1
15	HD-360-643	3/8"-16 x 1-1/4" Socket Head Cap Screw	3	36	HD-360-665	Housing Seal	2	61	HD-360-690	Centershaft Lock	1
16	HD-360-644	Access Cap	1	37	HD-360-666	Inside Thrust Washer	1	62	HD-360-691	5/16"-18 x 3/4" Socket Head Cap Screw	6
17	HD-360-645	10-24 x 5/8" Socket Head Cap Screw	4	38	HD-360-667	Feed Shaft Bearing	2	63	HD-360-692	Hoist Ring	2
18	HD-360-646	O-Ring	1	39	HD-360-668	Feed Shaft Thrust Bearing	2	64	HD-360-693	Air Motor	1
19	HD-360-647	Front Housing	1	40	HD-360-669	Feed Shaft Spacer, Long	1	65	HD-360-694	1/2"-14 NPT Nipple	1
20	HD-360-648	Center Hub Bearing	2	41	HD-360-670	Helical Gear, Feed Shaft	1	66	HD-360-695	1/2"-14 NPT Flow Control Valve	1
21	HD-360-649	Housing Bearing	2	42	HD-360-671	Feed Shaft Spacer, Short	1	67	HD-360-696	1/2"-14 NPT Drop Swivel	1
		Center Hub	1	43	HD-360-672	1/8" x 1" Keystock	1	68	HD-360-697	1/2"-14 NPT Air Plug	1
				44	HD-360-673	Outside Thrust Washer	1				
				45	HD-360-674	Feed Hub Spacer	1				
				46	HD-360-675	Feed Hub	1				

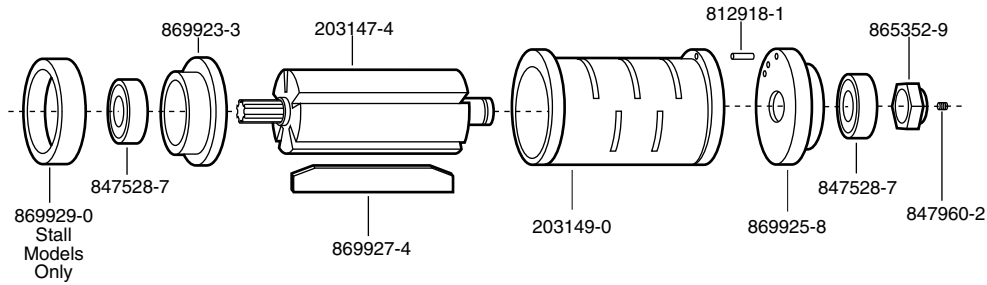
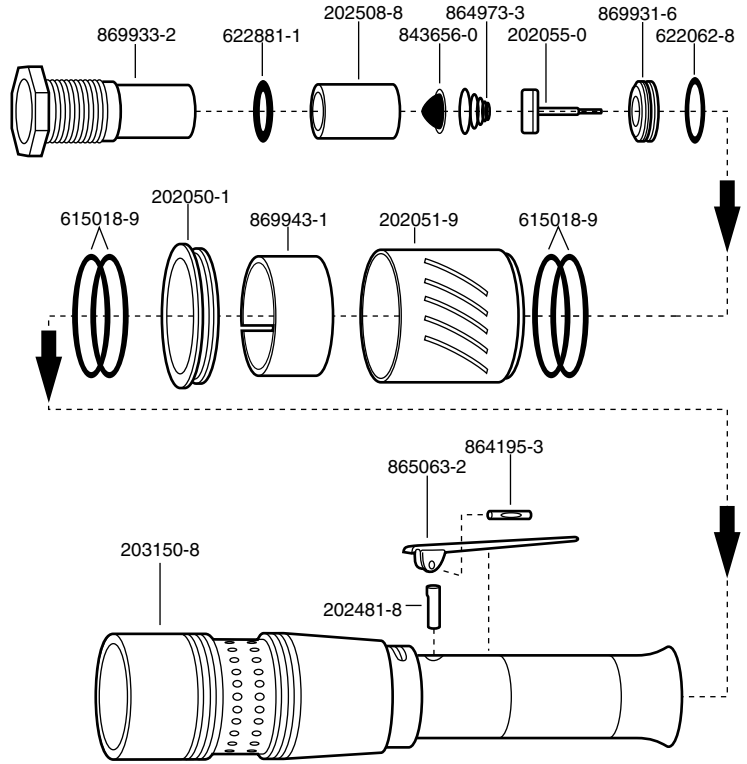
Cleco Air Motor Part No. HD-360-693

Parts Listing for Reference No. 64 from Front

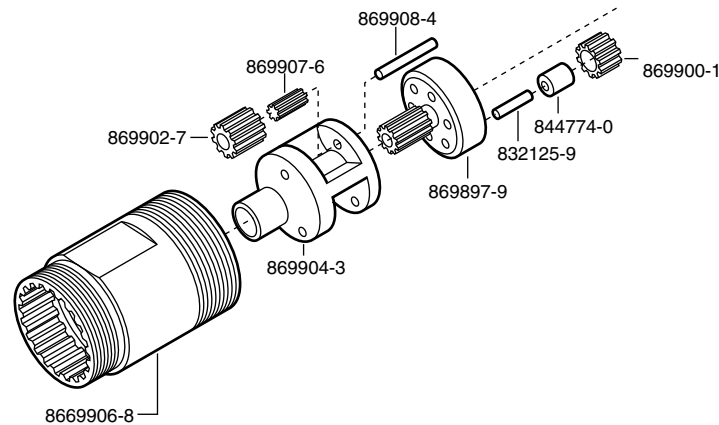
PARTS LIST - NO. 75 HANDLE & MOTOR

PART NO.	DESCRIPTION	QTY.
202050-1	Deflector Spacer	1
202051-9	Exhaust Deflector	1
202055-0	Throttle Valve	1
202481-8	Throttle Valve Pin	1
202508-8	Inlet Spacer	1
203147-4	Rotor	1
203149-0	Cylinder (Incl. 812918-1)	1
203150-8	Handle	1
615018-1	"O"-Ring 2-1/2" x 2-5/8"	4
622062-8	"O"-Ring 7/8" x 1-1/16"	1
622881-1	"O"-Ring 15/16" x 1-1/8"	1
812918-1	Cylinder PIN	1
843656-0	Air Inlet Screen	1
847960-2	Set Screw	1
847528-7	Rotor Bearing	2
864195-3	Throttle Lever Pin	1
864973-3	Throttle Valve Spring	1
865063-2	Throttle Lever	1
865352-9	Rotor Lock Nut	1
869923-3	Front Bearing Plate	1
869925-8	Rear Bearing Plate	1
869927-4	Rotor Blade	5
869928-2	Rear Bearing Plate	1
869929-4	Motor Spacer*	1
869931-5	Throttle Valve Seat	1
869933-2	Inlet Bushing	1
869943-1	Muffler	1

*Denotes parts not listed in sub-assemblies listed below.



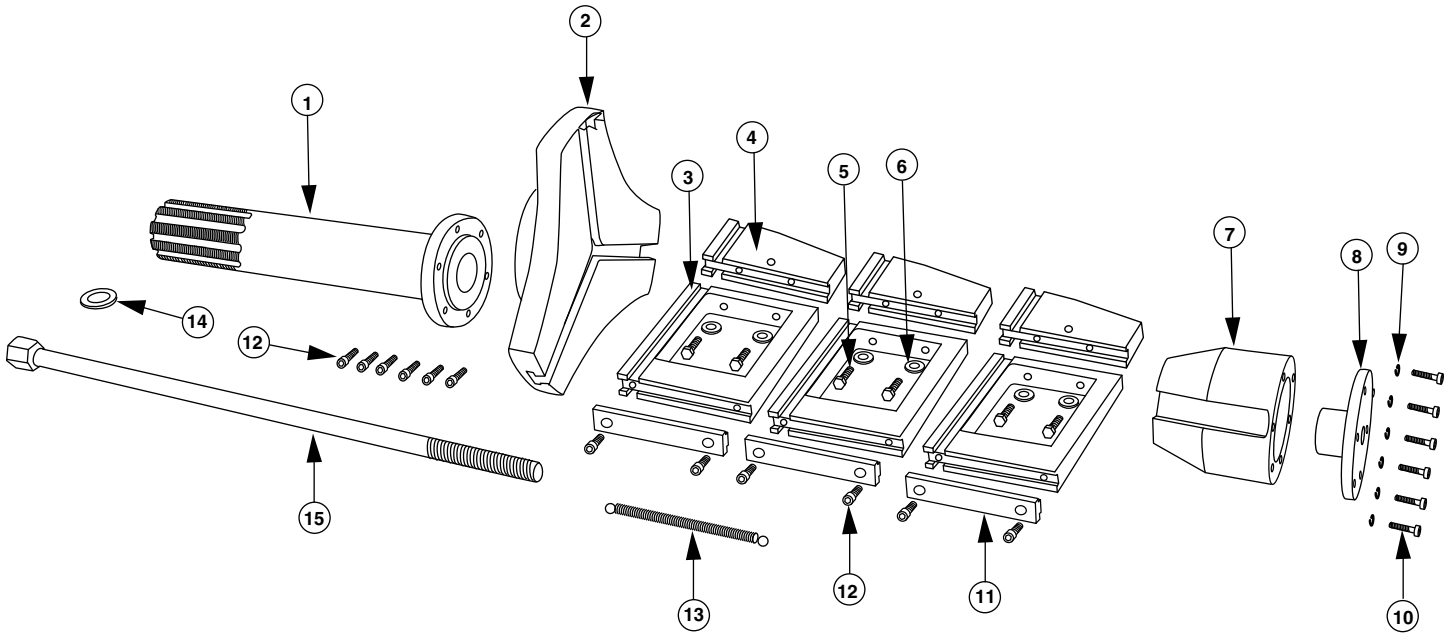
COMPLETE SUB-ASSEMBLY - 201328-2



PART NO.	DESCRIPTION	QTY
869900-1	Idler Gear	1
832125-9	Idler Gear Pin	6
844774-0	Idler Gear Bearing	3
869897-9	Spider - incl. 832125-9	1
869928-2	Gear (21T) - incl. 844774-0	3
869902-7	Idler Gear (18T)	3
869906-8	Gear Case (50T)	1
869904-3	Gear Cage	1
869907-6	Needle Roller (13 Per Gear)	39
869908-4	Idler Gear Pin	3

COMPLETE SUB-ASSEMBLY - 861915-7

Wedge System Assembly Part No. HD 360-751



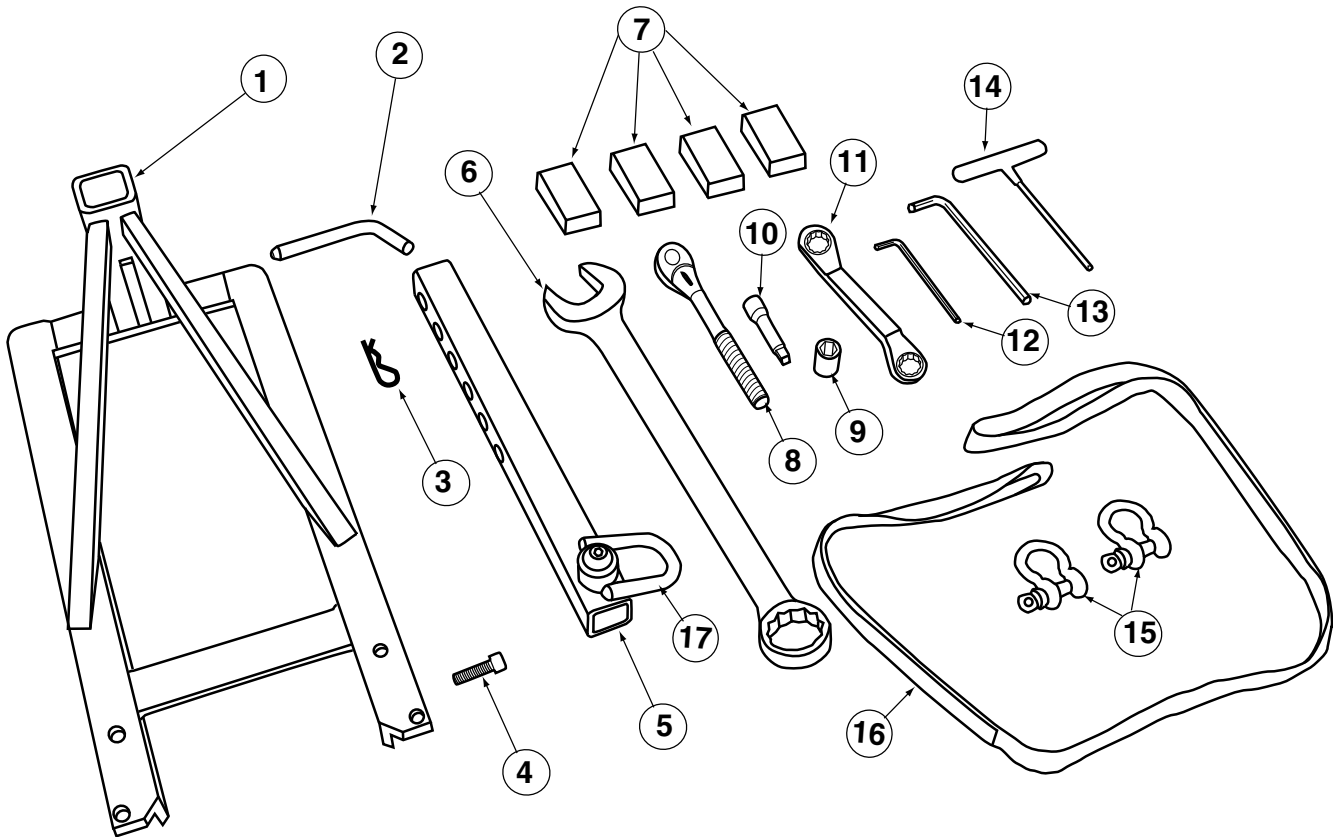
Reference No.	Part No.	Description	Quantity
1	HD 360-621	Center Shaft	1
2	HD 360-725	7.5" Wedge Guide	1
	HD 360-726	15" Wedge Guide	1
	HD 360-727	24" Wedge Guide	1
	HD 360-730	All Three Wedge Guide Sizes	1
3	See Chart	Extension Plate	3
4	HD 360-630	Base Expansion Wedge	3
5	HD 360-632	7/16" - 14 x 1-1/2" Extension Plate Bolt	6
	HD 360-620	7/16" - 14 x 1-1/4" Extension Plate Bolt for HD-360-740 only	6
6	HD 360-633	7/16" Extension Plate Flat Washer	6
7	HD 360-623	Guide Cone	1
8	HD 360-728	Guide Cone End Plate	1
9	HD 360-720	3/8" Lock Washer	6
10	HD 360-622	3/8"-16 x 1-1/4" Socket Head Cap Screw	6
11	HD 360-634	Wear Bar	3
12	HD 360-635	3/8"-16 x 1" Socket Head Cap Screw	12
13	HD 360-636	Spring	1
14	HD 360-629	Draw Rod Washer	1
15	HD 360-628	Draw Rod	1

Wedge Extension Plates

Part No.	Inches	Pipe Size Coverage		Quantity
		MM		
HD 360-740	8 - 10	203.2 - 254.0		3
HD 360-741	10 - 12	254.0 - 304.8		3
HD 360-742	12 - 14	304.8 - 355.6		3
HD 360-743	14 - 16	355.6 - 406.4		3
HD 360-744	16 - 18	406.4 - 457.2		3
HD 360-745	18 - 20	457.2 - 508.0		3
HD 360-746	20 - 22	508.0 - 558.8		3
HD 360-747	22 - 24	558.8 - 609.6		3
HD 360-748	24 - 26	609.6 - 660.4		3
HD 360-749	26 - 28	660.4 - 711.2		3
HD 360-750	28 - 30	711.2 - 762.0		3

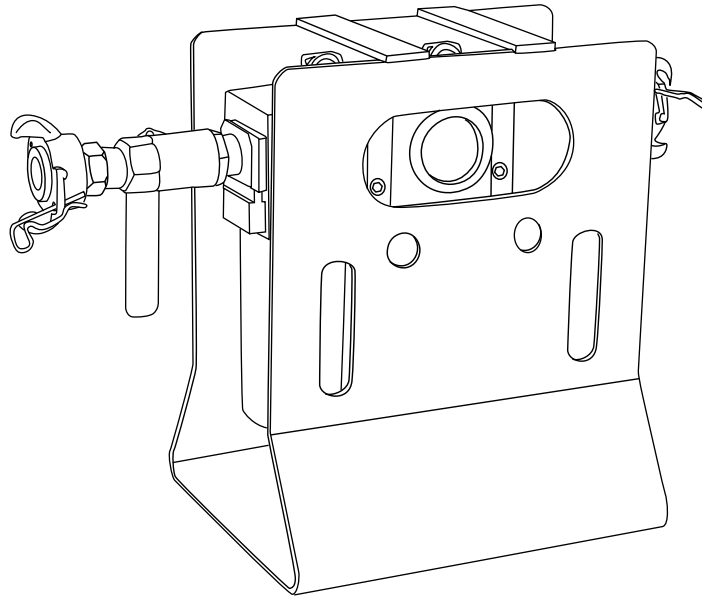
H&S TOOL, INC.

Lift Kit/Tools

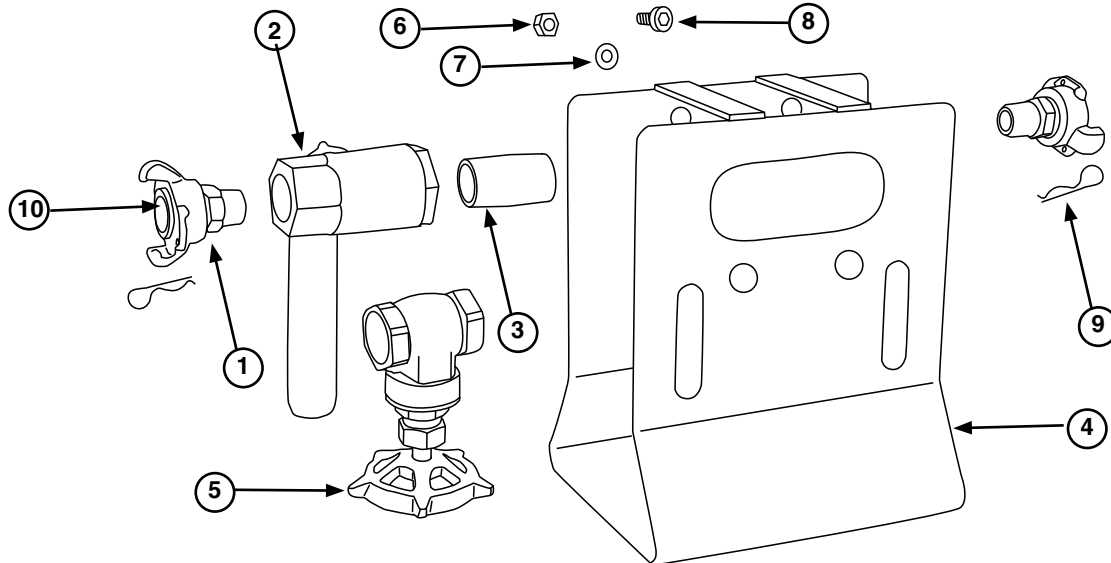


Reference No.	Part No.	Description	Quantity	Reference No.	Part No.	Description	Quantity
1	HD 360-700	Lifting Frame	1	9	HD 360-708	5/8" Socket	1
2	HD 360-701	Hitch Pin	1	10	HD 360-709	3/8" Extension	1
3	HD 360-702	Spring Clip	1	11	HD 360-710	5/8" x 3/4" Ratchting Box Wrench	1
4	HD 360-703	3/8"-16 x 1-1/2" Socket Head Cap Screw	4	12	HD 360-711	3/16" Hex Key (long arm)	1
5	HD 360-704	Lift Arm	1	13	HD 360-712	5/16" Hex Key (long arm)	1
6	HD 360-705	1-1/2" Combination Wrench	1	14	HD 360-713	3/16" T-Handle Hex Key	1
7	HD 360-706	Tool Holder Alignment Blocks	4	15	HD 360-714	3/8" Shackle	2
8	HD 360-707	3/8" Ratchet Wrench	1	16	HD 360-715	Nylon Sling	1
				17	HD 360-716	Lifting Eye	1

Air Caddy/Hose, AC Assembly Part No. 215-2025

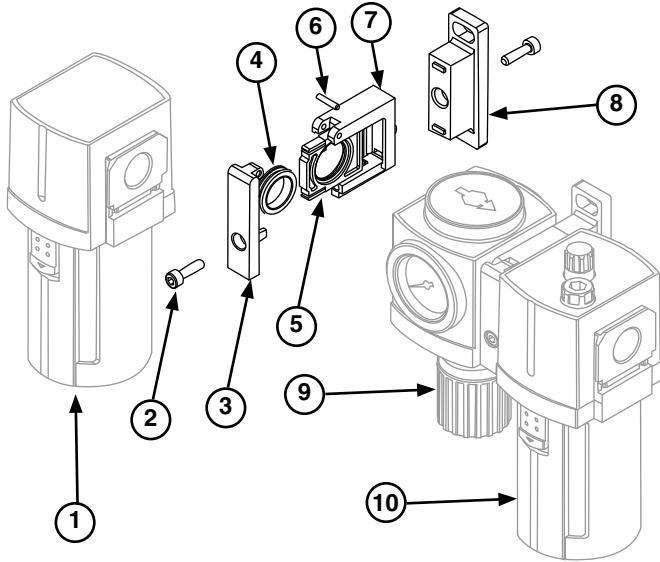


Air Caddy Frame/Valves/Fittings



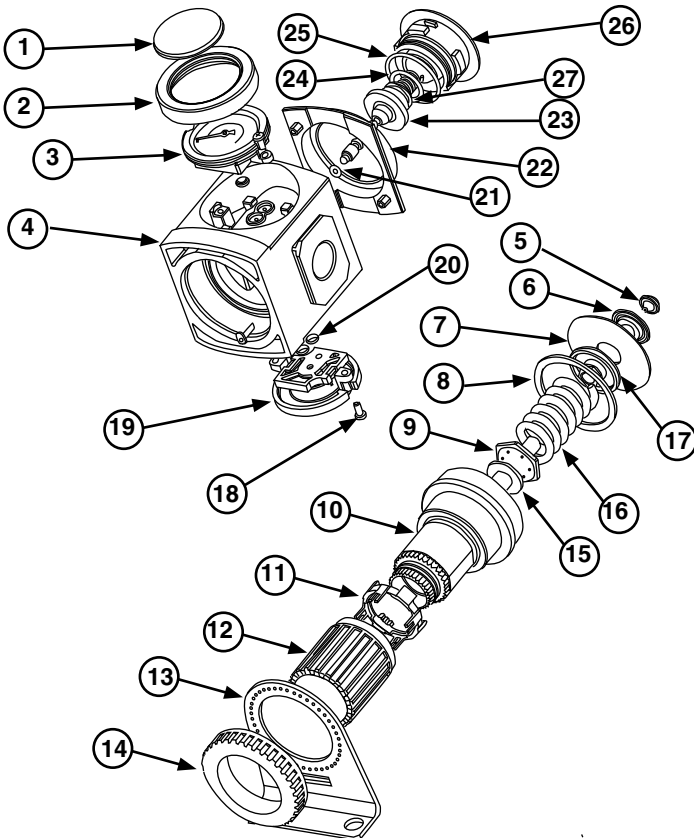
Item No.	Part No.	Description	Quantity	Item No.	Part No.	Description	Quantity
1	215-1012	Claw Fitting	2	6	215-2017	5/16"-18 Self-Locking Nut	4
2	215-2014	Ball Valve	1	7	215-2018	5/16" Washer	8
3	215-2013	Pipe Nipple	1	8	215-2019	5/16"-18 x 1" Socket	4
4	215-2016	Frame	1	9	215-2012	Head Cap Screw	2
5	215-2015	Gate Valve, Optional	1	10	215-2020	Safety Clip	2
						Claw Fitting Rubber Seal	

Air Caddy Mounting Bracket Assembly Part No. 215-2080



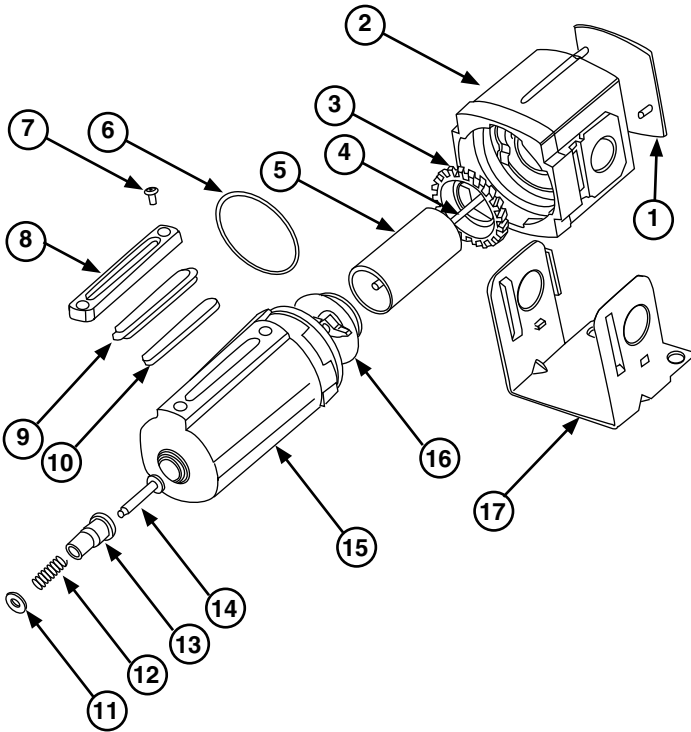
Item No.	Part No.	Description	Quantity
1	215-2070	Filter	1
2	215-2071	Socket Head Cap Screw	4
3	215-2072	Spacer Cover	2
4	215-2073	Spacer O-Ring	2
5	215-2074	Spacer	2
6	215-2075	Pin	2
7	215-2076	Spacer Housing	2
8	215-2077	T-Bracket	2
9	215-2078	Regulator	1
10	215-2079	Lubricator	1

Air Caddy Regulator Assembly Part No. 215-2100



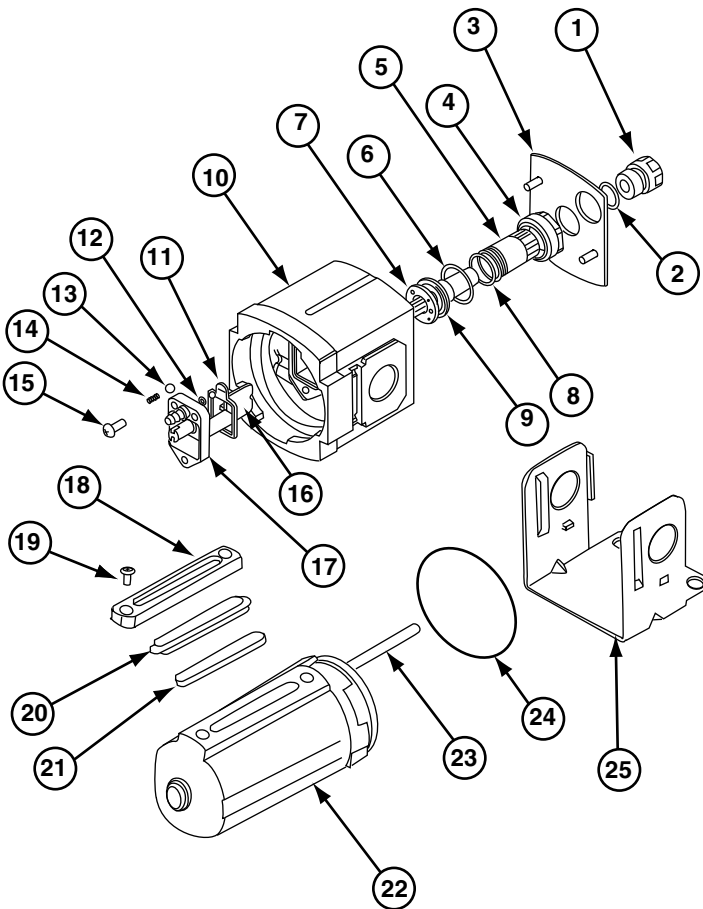
Item No.	Part No.	Description	Quantity
1	215-2101	Gauge Cover	1
2	215-2102	Cover Ring	1
3	215-2103	Gauge	1
4	215-2104	Regulator Body	1
5	215-2105	Relief Valve Sheet	1
6	215-2106	Relief Valve	1
7	215-2107	Diaphragm	1
8	215-2108	Diaphragm Ring	1
9	215-2109	Adjusting Nut	1
10	215-2110	Bonnet	1
11	215-2111	Tamper Kit	1
12	215-2112	Handle	1
13	215-2113	L-Bracket	1
14	215-2114	Panel Mount Nut	1
15	215-2115	Adjusting Bolt	1
16	215-2116	Adjusting Spring	1
17	215-2117	Diaphragm Shell	1
18	215-2118	Bolt	2
19	215-2119	Built in check Valve/Block Cover	1
20	215-2120	Gauge O-Ring	1
21	215-2121	Stem O-Ring	1
22	215-2122	Upper Cover	1
23	215-2123	Valve	1
24	215-2124	Valve O-Ring	1
25	215-2125	Valve Guide O-Ring	1
26	215-2126	Valve Guide	1
27	215-2127	Valve Spring	1

Air Caddy Filter Assembly Part No. 215-2130



Item No.	Part No.	Description	Quantity
1	215-2131	Upper Cover	1
2	215-2132	Filter Body	1
3	215-2133	Deflector	1
4	215-2134	Baffle Shaft	1
5	215-2135	Filter Element	1
6	215-2136	Bowl O-Ring	1
7	215-2137	Bolt	2
8	215-2138	Sight Cover	1
9	215-2139	Sight Plate	1
10	215-2140	Sight Plate Gasket	1
11-14	215-2141	Manual Drain Assembly	1
15	215-2142	Filter Bowl	1
16	215-2143	Baffle	1
17	215-2144	C-Bracket	1

Air Caddy Lubricator Assembly Part No. 215-2150



Item No.	Part No.	Description	Quantity
1	215-2151	Fill Cap	1
2	215-2152	Fill Cap O-Ring	1
3	215-2153	Upper Cover	1
4	215-2154	Sight Dome Housing	1
5	215-2155	Outer Sight Dome	1
6	215-2156	Inner Sight Dome O-Ring	1
7	215-2157	Nozzle Sheet	1
8	215-2158	Outer Sight Dome O-Ring	1
9	215-2159	Inner Sight Dome	1
10	215-2160	Lubricator Body	1
11	215-2161	Damper Guide Gasket	1
12	215-2162	Check Ball O-Ring	1
13	215-2163	Steel Ball, Large	1
14	215-2164	Spring	1
15	215-2165	Bolt	3
16	215-2166	Damper	1
17	215-2167	Damper Guide	1
18	215-2168	Sight Cover	1
19	215-2169	Bolt	2
20	215-2170	Sight Plate	1
21	215-2171	Sight Plate Gasket	1
22	215-2172	Lubricator Bowl	1
23	215-2173	Siphon Tube	1
24	215-2174	Bowl O-Ring	1
25	215-2175	C-Bracket	1

H&S TOOL, INC.

Mail: P.O. Box 393, Wadsworth, OH 44282
Shipping: 715 Weber Rd. Wadsworth, OH 44281
Tel: +1 330 336 4550 / Fax: +1 330 336 9159
www.hstool.com e-mail: info@hstool.com