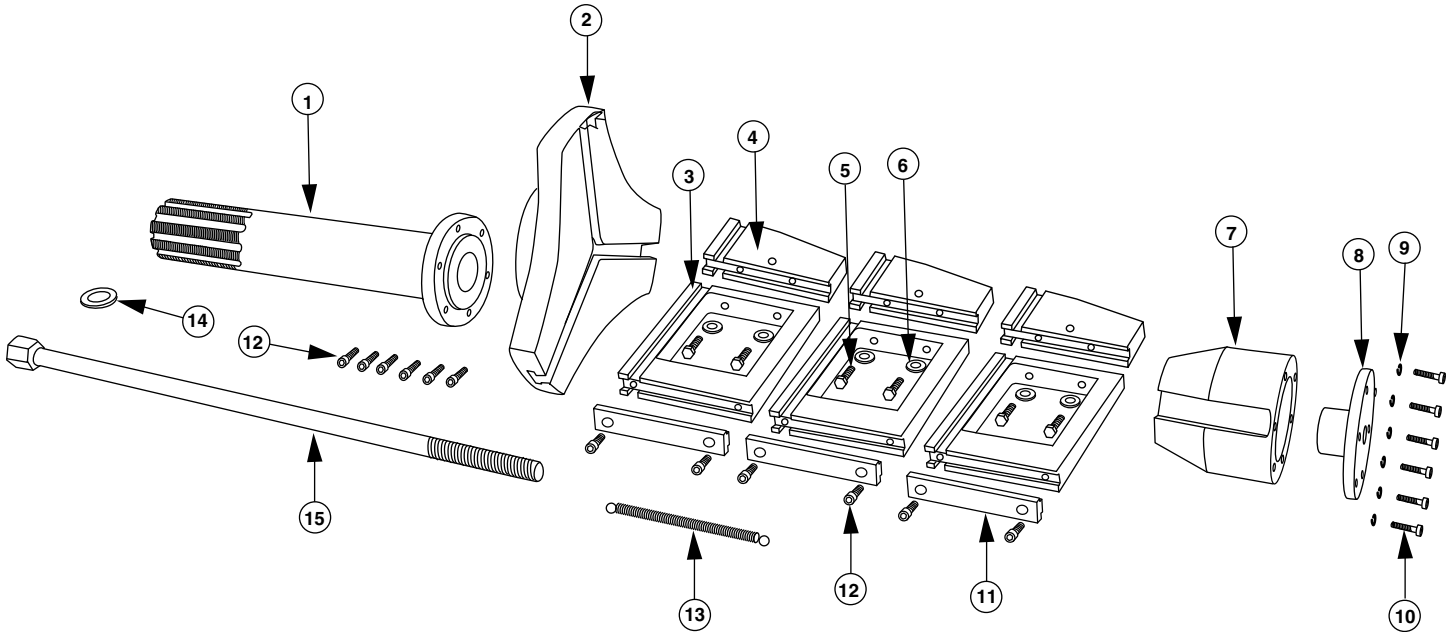


Reference No.	Part No.	Description	Quantity	Reference No.	Part No.	Description	Quantity	Reference No.	Part No.	Description	Quantity
1	HD-360-621	Centershaft	1	22	HD-360-651	Worm Gear	1	48	HD-360-677	Retainer Bushing	1
2	500-1071	3/8"-16 x 1" Socket Head Cap Screw	6	23	HD-360-652	1/2"-13 x 1-1/4" Socket Head Cap Screw	6	49	500-1421	1/4"-20 x 1" Socket Head Cap Screw	1
3	HD-360-625	Lift Collar	1	24	HDH-360-774	Hydraulic Motor Adapter	1	50	HD-360-679	Feed Handle	4
4	HD-360-626	Eyebolt	2	25	C5001079	1/2"-13 x 1-1/4" Socket Head Cap Screw	2	51	260-562	Feed Handle Knob	4
5	HD-360-627	Hex Nut	2	26	HDH-360-776	Driveshaft	1	52	500-1071	3/8"-16 x 1" Socket Head Cap Screw	14
6	HD-360-628	Draw Rod	1	27	160-452	Driveshaft Seal	1	53	HD-360-682	Feed Nut Thrust Bearing	1
7	HD-360-629	Washer - Draw Rod	1	28	HD-360-657	Front Driveshaft Bearing	1	54	HD-360-683	Feed Nut	1
8	HD-360-637	Face Plate, 24" Diameter	1	29	HD-360-658	Driveshaft Thrust Bearing	2	55	HD-360-684	Helical Gear, Feed Nut	1
9	HD-360-754	Face Plate, 30" Diameter	1	30	HD-360-659	Steel Worm	1	56	500-1421	1/4"-20 x 1" Socket Head Cap Screw	4
10	HD-360-638	Seal	1	31	HD-360-660	3/16" x 1-3/4" Keystock	1	57	HD-360-686	End Cap Bearing	1
11	HD-360-639	1/2"-13 x 2" Socket Head Cap Screw	8	32	HD-360-661	Inner Race	1	58	HD-360-687	End Cap	1
12	HD-360-640	Tool Block, 24" Face Plate	1	33	HD-360-662	Rear Driveshaft Bearing	1	59	500-1071	3/8"-16 x 1" Socket Head Cap Screw	7
13	HD-360-641	Tool Block, 30" Face Plate	1	34	HD-360-663	Feed Shaft	1	60	HD-360-689	1/2"-14 NPT Plug	1
14	HD-360-642	3/8"-16 x 5/8" Set Screw	16	35	HD-360-664	Rear Housing	1	61	HD-360-690	Centershaft Lock	1
15	500-1071	3/8"-16 x 1" Socket Head Cap Screw	3	36	HD-360-665	Housing Seal	2	62	HD-360-691	5/16"-18 x 3/4" Socket Head Cap Screw	6
16	HD-360-643	3/8"-16 x 1-1/4" Socket Head Cap Screw	3	37	HD-360-666	Inside Thrust Washer	1	63	HD-360-692	Hoist Ring	2
17	HD-360-644	Access Cap	1	38	HD-360-667	Feed Shaft Bearing	2	64	HDH-211-777	Hydraulic Motor Adapter	1
18	HD-360-645	10-24 x 5/8" Socket Head Cap Screw	4	39	HD-360-668	Feed Shaft Thrust Bearing	2	65	HD-360-778	5/16"-18 x 1-1/2" Socket Head Cap Screw	4
19	HD-360-646	O-Ring	1	40	HD-360-669	Feed Shaft Spacer, Long	1	66	HDH-360-779	1/4" x 1" Woodruff Key	1
20	HD-360-647	Front Housing	1	41	HD-360-670	Helical Gear, Feed Shaft	1	67	HD-360-698	Feed Nut Thrust Bearing Spacer	1
21	HD-360-648	Center Hub Bearing	2	42	HD-360-671	Feed Shaft Spacer, Short	1				
				43	HD-360-672	1/8" x 1" Keystock	1				
				44	HD-360-673	Outside Thrust Washer	1				
				45	HD-360-674	Feed Hub Spacer	1				
				46	HD-360-675	Feed Hub	1				
				47	HD-360-676	1/8" x 1" Keystock	1				

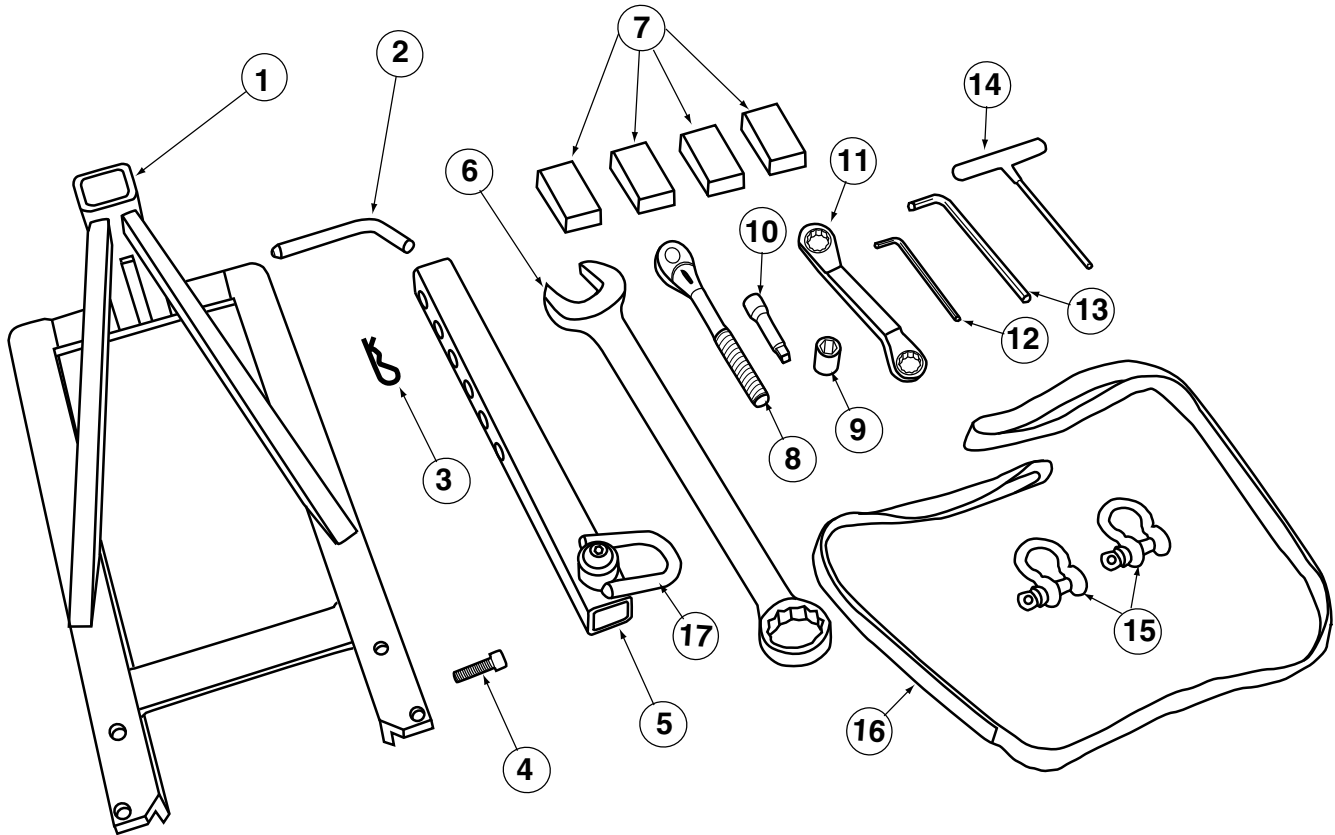
## Wedge System Assembly Part No. HD-360-751



Reference No.	Part No.	Description	Quantity
1	HD 360-621	Center Shaft	1
2	HD 360-725	7.5" Wedge Guide	1
	HD 360-726	15" Wedge Guide	1
	HD 360-727	24" Wedge Guide	1
	HD 360-730	All Three Wedge Guide Sizes	1
3	See Chart	Extension Plate	3
4	HD 360-630	Base Expansion Wedge	3
5	HD 360-632	7/16" - 14 x 1-1/2" Extension Plate Bolt	6
	HD 360-620	7/16" - 14 x 1-1/4" Extension Plate Bolt for HD-360-740 only	6
6	HD 360-633	7/16" Extension Plate Flat Washer	6
7	HD 360-623	Guide Cone	1
8	HD 360-728	Guide Cone End Plate	1
9	HD 360-720	3/8" Lock Washer	6
10	HD 360-622	3/8"-16 x 1-1/4" Socket Head Cap Screw	6
11	HD 360-634	Wear Bar	3
12	HD 360-635	3/8"-16 x 1" Socket Head Cap Screw	12
13	HD 360-636	Spring	1
14	HD 360-629	Draw Rod Washer	1
15	HD 360-628	Draw Rod	1

Wedge Extension Plates				
Part No.	Inches	Pipe Size Coverage		Quantity
		Inches	MM	
HD 360-740	8 - 10	203.2 - 254.0		3
HD 360-741	10 - 12	254.0 - 304.8		3
HD 360-742	12 - 14	304.8 - 355.6		3
HD 360-743	14 - 16	355.6 - 406.4		3
HD 360-744	16 - 18	406.4 - 457.2		3
HD 360-745	18 - 20	457.2 - 508.0		3
HD 360-746	20 - 22	508.0 - 558.8		3
HD 360-747	22 - 24	558.8 - 609.6		3
HD 360-748	24 - 26	609.6 - 660.4		3
HD 360-749	26 - 28	660.4 - 711.2		3
HD 360-750	28 - 30	711.2 - 762.0		3

## Lift Kit/Tools



Reference No.	Part No.	Description	Quantity	Reference No.	Part No.	Description	Quantity
1	HD 360-700	Lifting Frame	1	9	HD 360-708	5/8" Socket	1
2	HD 360-701	Hitch Pin	1	10	HD 360-709	3/8" Extension	1
3	HD 360-702	Spring Clip	1	11	HD 360-710	5/8" x 3/4" Ratchting Box Wrench	1
4	HD 360-703	3/8"-16 x 1-1/2" Socket Head Cap Screw	4	12	HD 360-711	3/16" Hex Key (long arm)	1
5	HD 360-704	Lift Arm	1	13	HD 360-712	5/16" Hex Key (long arm)	1
6	HD 360-705	1-1/2" Combination Wrench	1	14	HD 360-713	3/16" T-Handle Hex Key	1
7	HD 360-706	Tool Holder Alignment Blocks	4	15	HD 360-714	3/8" Shackle	2
8	HD 360-707	3/8" Ratchet Wrench	1	16	HD 360-715	Nylon Sling	1
				17	HD 360-716	Lifting Eye	1