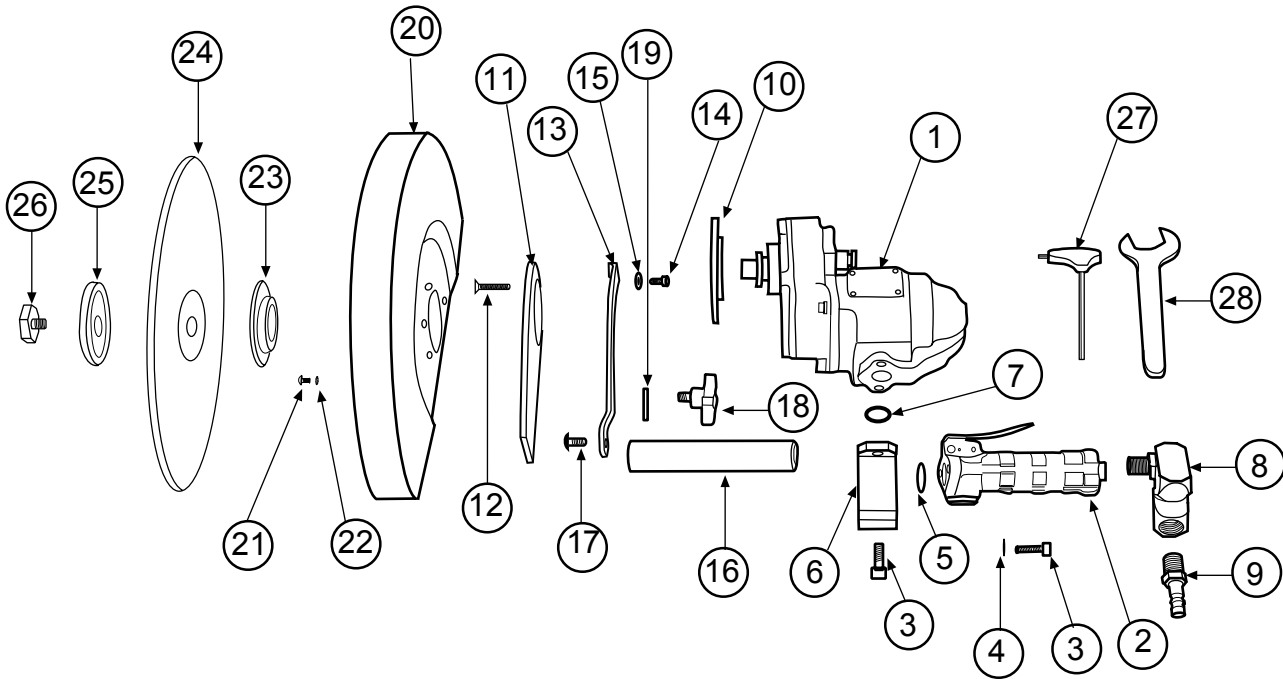
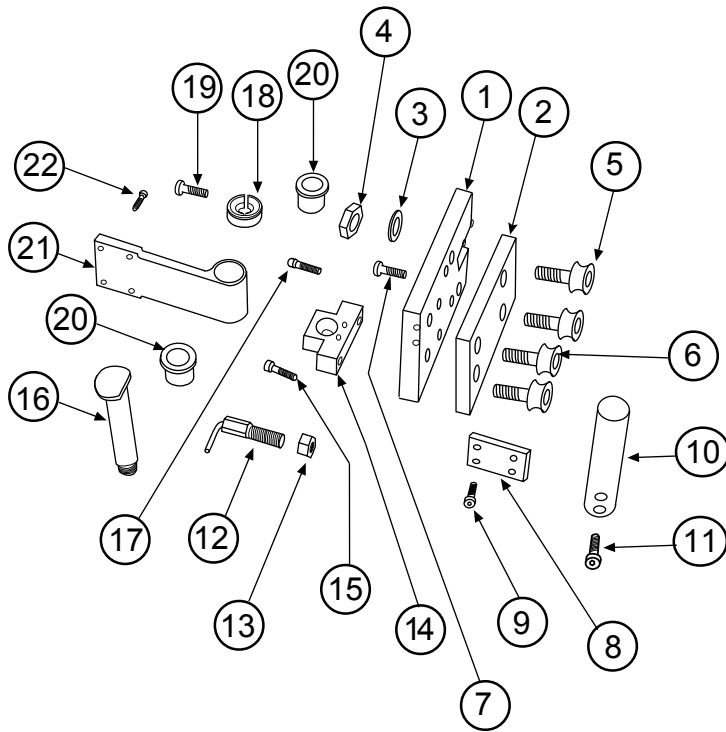


### Motor Assembly



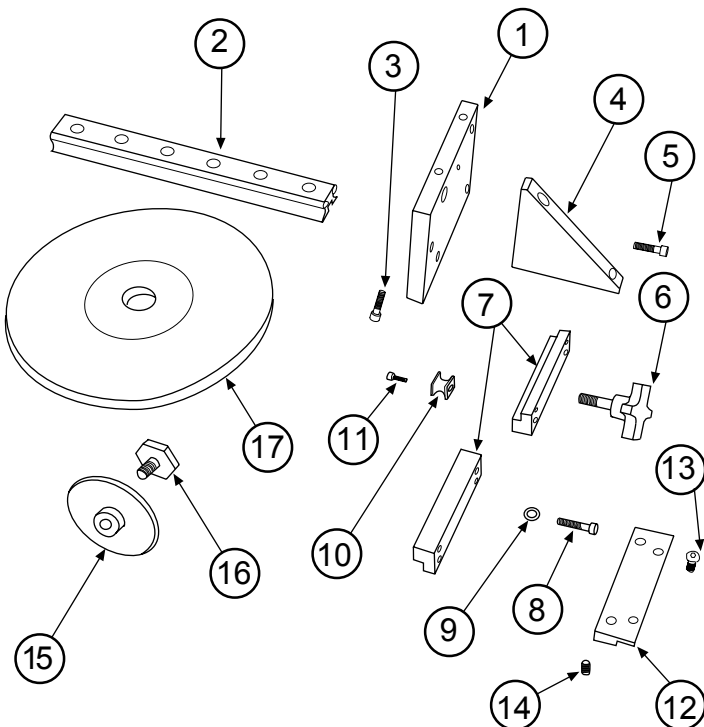
Reference Number	Part Number	Description	Reference Number	Part Number	Description
1	TS400-200	Motor Body	15	TS400-214	Bracket Screw Washer (2)
2	TS400-201	Throttle Assembly	16	TS400-215	Handle
3	TS400-202	Throttle Screw (4)	17	TS400-216	Handle Screw (2)
4	TS400-203	Throttle Screw Washer (4)	18	TS400-217	Guard Knob
5	TS400-204	Throttle O-Ring	19	TS400-218	Knob Washer
6	TS400-205	Throttle Adapter	20	TS400-219	Guard
7	TS400-206	Adapter O-Ring	21	TS400-220	Guard Screw (6)
8	TS400-207	Drop Swivel	22	TS400-221	Guard Screw Washer (6)
9	TS400-208	Male Plug	23	TS400-222	Inside Arbor
10	TS400-209	Guard Ring	24	TS400-223	Saw Blade
11	TS400-210	Handle Support	25	TS400-224	Outside Arbor
12	TS400-211	Support Screw (3)	26	TS400-225	Arbor Bolt
13	TS400-212	Adjustment Bracket	27	TS400-226	Hex Wrench
14	TS400-213	Bracket Screw (2)	28	TS400-227	Arbor Wrench

# Panel Carriage Assembly



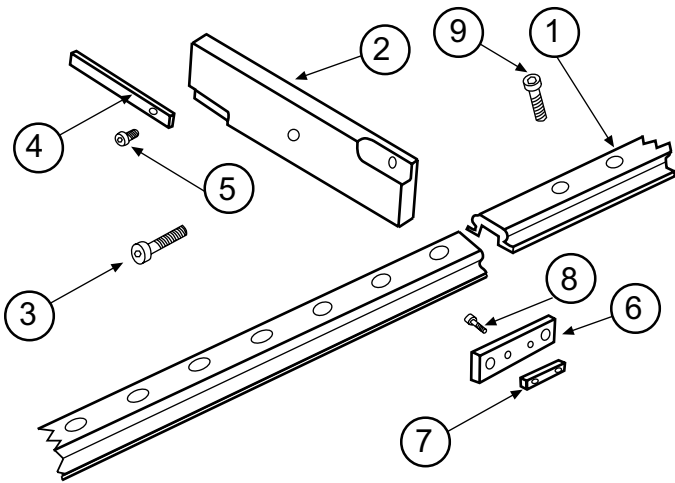
Reference Number	Part Number	Description
1	TS400-110	Carriage Base Plate
2	TS400-126	Sub Plate
3	TS400-130	Washer (4)
4	TS400-129	Hex Nut (4)
5	TS400-128	Adjustable Rollers (2)
6	TS400-127	Fixed Rollers (2)
7	TS400-131	Socket Head Cap Screws (4)
8	TS400-111	Handle Bracket
9	TS400-112	Bracket Screw (2)
10	TS400-113	Carriage Handle
11	TS400-114	Handle Screw (2)
12	TS400-115	Carriage Lock
13	TS400-116	Jam Nut
14	TS400-117	Hinge Lug (2)
15	TS400-118	Hinge Lug Screw (4)
16	TS400-119	Hinge Bolt
17	TS400-120	Stop Screw (2)
18	TS400-121	Threaded Collar
19	TS400-122	Collar Screw
20	TS400-123	Bushing (2)
21	TS400-124	Hinge Bracket
22	TS400-125	Hinge Bracket Screw (4)

# Membrane Carriage Assembly



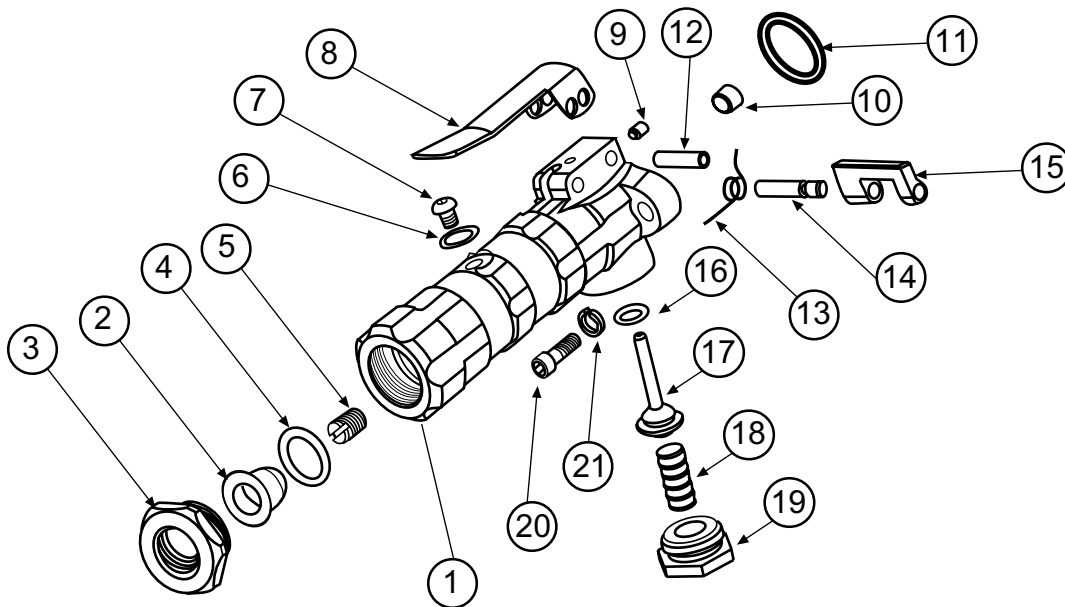
Reference Number	Part Number	Description
1	TS400-150	Membrane Base Plate
2	TS400-151	Guide Rail
3	TS400-152	Guide Rail Screw (2)
4	TS400-153	Support Bracket
5	TS400-154	Support Bracket Screw
6	TS400-155	Bracket Lock Knob
7	TS400-156	Support Bar (2)
8	TS400-157	Support Bar Screw (4)
9	TS400-158	Washer (2)
10	TS400-159	Guide Shoe (4)
11	TS400-160	Guide Shoe Screw (4)
12	TS400-161	Adjustment Bar
13	TS400-162	Adjustment Bar Screw (2)
14	TS400-163	Adjustment Set Screw (2)
15	TS400-164	Membrane Arbor
16	TS400-165	Membrane Bolt
17	TS400-166	Membrane Cutting Wheel

# Guide Rail/Locator Assemblies



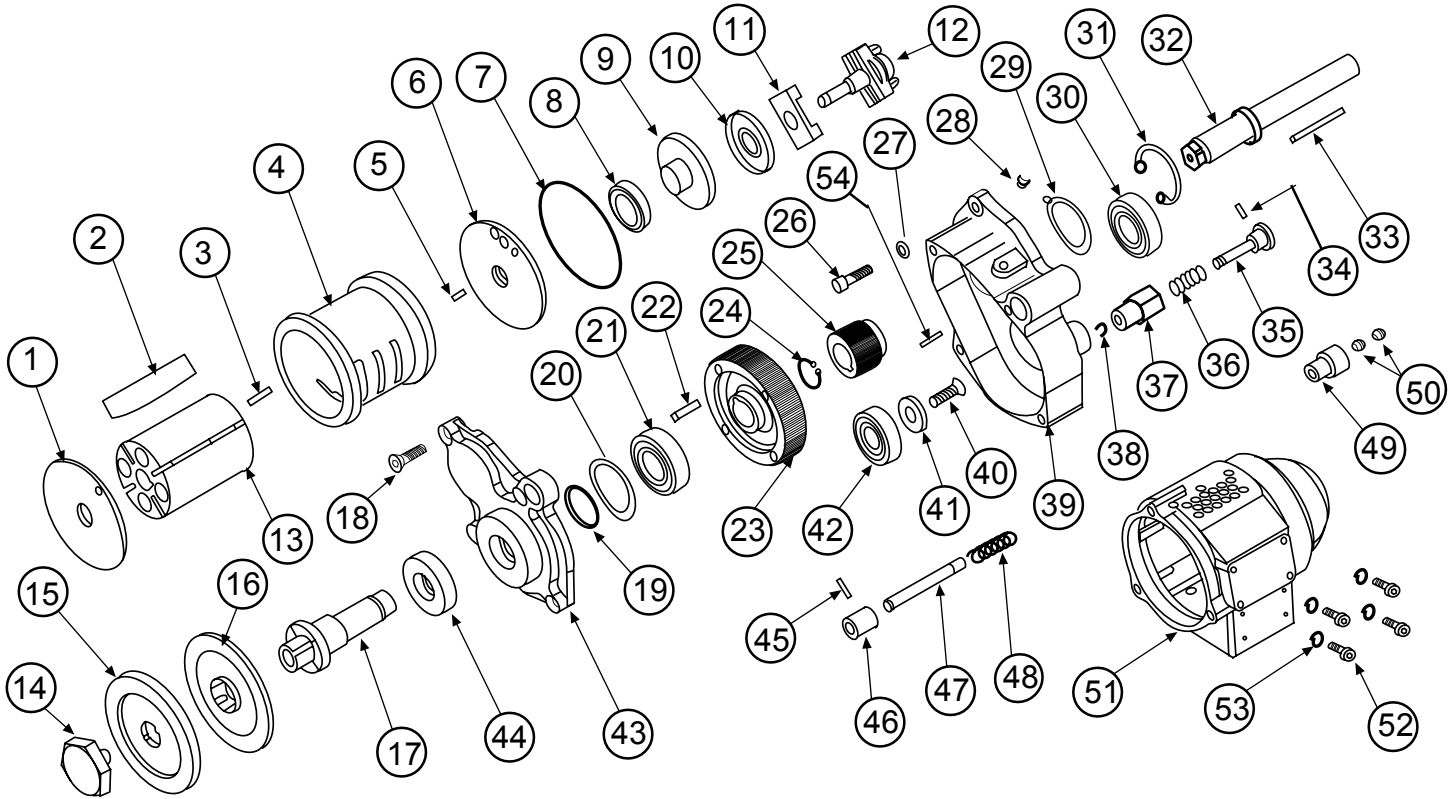
Reference Number	Part Number	Description
1	TS400-170	Guide Rail
2	TS400-171	Weld Tab (3)
3	TS400-172	Weld Tab Screw (3)
4	TS400-173	Line Indicator (3)
5	TS400-174	Line Indicator Screw (3)
6	TS400-175	Rail Connector
7	TS400-176	Rail Connector Key
8	TS400-177	Key Screw (2)
9	TS400-178	Connector Screw (2)

# Throttle Assembly



Reference Number	Part Number	Description	Reference Number	Part Number	Description
1	TS400-300	Throttle Body	11	TS400-310	O-Ring
2	TS400-301	Screen	12	TS400-311	Pin
3	TS400-302	Adapter Cap	13	TS400-312	Safety Lockout Spring
4	TS400-303	O-Ring	14	TS400-313	Lockout Pin
5	TS400-304	Oiler Valve	15	TS400-314	Lockout
6	TS400-305	Gasket	16	TS400-315	O-Ring
7	TS400-306	Screw	17	TS400-316	Throttle Valve Assembly
8	TS400-307	Lever	18	TS400-317	Spring
9	TS400-308	Set Screw	19	TS400-318	Throttle Valve Plug
10	TS400-309	Pipe Plug	20	TS400-202	Throttle Screw (2)
			21	TS400-203	Throttle Screw Washer (2)

# Air Saw Motor



Reference Number	Part Number	Description	Reference Number	Part Number	Description
1	TS400-240	Outer Thrust Plate	28	TS400-264	Grease Fitting
2	TS400-241	Vane (4)	29	TS400-265	Gearbox Spring Washer
3	TS400-242	Long Roll Pin	30	TS400-266	Outer Bearing
4	TS400-243	Cylinder	31	TS400-267	Outer Bearing Retainer
5	TS400-244	Short Roll Pin	32	TS400-268	Rotor Shaft
6	TS400-245	Inner Thrust Plate	33	TS400-269	Rotor Shaft Key
7	TS400-246	Gasket	34	TS400-270	Lock Knob Roll Pin
8	TS400-247	Inner Bearing	35	TS400-271	Spindle Lock Shaft
9	TS400-248	Inner Bearing Spacer	36	TS400-272	Spindle Lock Spring
10	TS400-249	Shield	37	TS400-273	Spindle Lock Housing
11	TS400-250	Governor Retainer	38	TS400-274	Spindle Lock Clip
12	TS400-251	Governor Assembly	39	TS400-275	Gearbox Housing
13	TS400-252	Rotor	40	TS400-276	Shaft Retaining Screw
14	TS400-225	Arbor Bolt	41	TS400-277	Cone Washer
15	TS400-224	Outside Arbor	42	TS400-278	Gearbox Inner Bearing
16	TS400-222	Inside Arbor	43	TS400-279	Gearbox Cover
17	TS400-253	Output Shaft	44	TS400-280	Thread Wear Plate
18	TS400-254	Cover Screw	45	TS400-281	Bushing Roll Pin
19	TS400-255	Gear Box Seal	46	TS400-282	Lock Pin Bushing
20	TS400-256	Spring Washer	47	TS400-283	Lock Pin Shaft
21	TS400-257	Gear Box Outside Bearing	48	TS400-284	Lock Pin Spring
22	TS400-258	Large Gear Key	49	TS400-285	Lock Pin Knob
23	TS400-259	Large Output Gear	50	TS400-286	Set Screw
24	TS400-260	Small Gear Retainer	51	TS400-287	Motor Housing
25	TS400-261	Small Input Gear	52	TS400-125	Screw (4)
26	TS400-262	Gear Housing Screw (3)	53	TS400-288	Lock Washer (4)
27	TS400-263	Lock Washer (3)	54	TS400-289	Small Gear Key