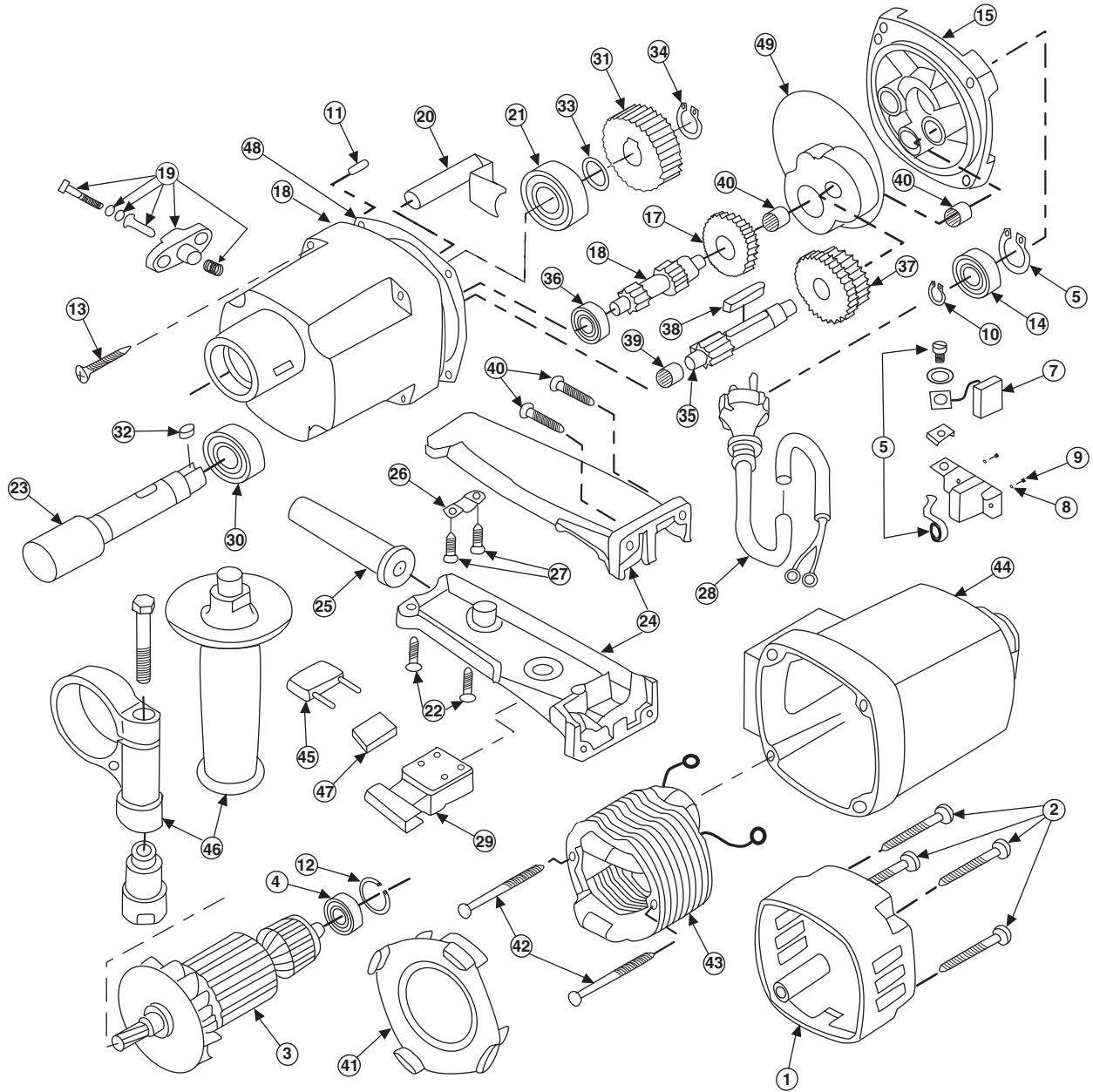


Reference No.	Part No.	Description	Reference No.	Part No.	Description
1	EOD 005504	Electric Motor	32		Locator Block, See Chart
2	EOD 005505	Key	33	OD 005524	Locking Saddle
3	EOD 005506	Gear Spacer	34	OD 005525	Guide Bushing
4	OD 002122	Pinion Gear	35	OD 005526	Locking Nut
5	OD 001816	Needle Bearing	36	OD 005527	Retainer Plate
6	OD 005512	Motor Bracket	37	OD 102458	(4) Socket Head Cap Screw
7	OD 142034	(2) Socket Head Cap Screw	38	OD 005528	Spiral Pinion Gear
8	OD 005513	Support Bracket	39	OD 005529	Spindle Key
9	OD 102412	(4) Flat Socket Cap Screw	40	OD 005530	Feed Control Spindle
10	OD 00BH88	Needle Bearing	41	OD 001012	(2) Needle Bearing
11	OD 0FT10	Thrust Bearing	42	OD 005531	Feed Spindle Collar
12	OD 005514	Bearing Collar	43	OD 560856	(2) Socket Head Set Screw
13	OD 102412	(2) Flat Socket Cap Screw	44	OD 005532	Feed Handle
14	OD 005515	Main Gear	45	OD 102412	(2) Flat Socket Cap Screw
15	OD 001220	Thrust Bearing	46	OD 005533	Tool Holder Key
16	OD 001212	Needle Bearing	47	OD 005534	1-1/2" Toolholder
17	OD 00B188	Needle Bearing	47A	OD 005535	2-1/4" Toolholder
18	OD 005516	Retainer Collar	48	OD 561856	(2) Socket Head Set Screw
19	OD 001878	Roll Pin	49	OD 005536	Blade Lock (1-1/2")
20	OD 00Ew58	(2) Thrust Bearing	49A	OD 005537	Blade Lock (2-1/4")
21	OD SCE108	(2) Needle Bearing	50	OD 142810	(2) Differential Screw
22	OD 005517	Spiral Gear	51	EOD 005507	Drive Shaft
23	OD 005518	Feed Hub	52	EOD 005508	Adapter
24	OD 005519	Driveshaft	53	EOD 005509	Socket Head Cap Screw
25	OD 00B128	Needle Bearing	54	OD 005502	Control Knob
26	OD 005520	Spindle Collar	55	OD 005503	Shoulder Screw
27	OD 102412	(2) Flat Socket Cap Screw	56	OD 005540	Support Plate, Right
28	OD 102412	(2) Flat Socket Cap Screw		OD 005541	Support Plate, Left
29	OD 005521	Access Cap	57	OD 005542	(8) Flat Head, Countersink Screw
30	OD 005522	Frame			
31	OD 142012	(2) Socket Head Cap Screw			

Locator Block Chart		
Reference No.	Part No.	Description
32	OD 005523	3/4" (19.1 mm)
32	OD 005543	7/8" (22.2 mm)
32	OD 005544	1" (25.4 mm)
32	OD 005545	1-1/8" (28.6 mm)
32	OD 005546	1-1/4" (31.8 mm)
32	OD 005547	1-3/8" (34.9 mm)
32	OD 005548	1-1/2" (38.1 mm)
32	OD 005549	1-5/8" (41.3 mm)
32	OD 005550	1-3/4" (44.5 mm)
32	OD 005551	1-7/8" (47.6 mm)
32	OD 005552	2" (50.8 mm)
32	OD 005553	2-1/8" (54.0 mm)
32	OD 005554	2-1/4" (57.2 mm)

# Model HSE 20/2.4 120V/230V Electric Motor



Reference No.	Part No.	Description	Reference No.	Part No.	Description	Reference No.	Part No.	Description
1	80900093	Cap, Motor	18	71323500	Gear Shaft	35	71223460	Gear Shaft
2	80201267	(4) Screw	19	71540545	Gear Switch	36	73320210	Bearing
3	7132D100	Armature, 120V	20	71323520	Shift Arm	37	71323440	Gear
	7132A100	Armature, 230V	21	80410130	Bearing	38	80200602	Key
4	80410011	Bearing	22	80201271	(2) Screw	39	80420110	(2) Needle Sleeve
5	80201333	Safety Ring	23	71323420	Drive Shaft	40	80201280	(2) Screw
6	80201196	Brush Holder	24	80900097	Handle Halves	41	80900286	Air Guiding Ring, 120V
7	80700013	Brush	25	83000004	Cable Sleeve	42	80201226	Air Guiding Ring, 230V
8	80201385	Lock Washer	26	85000020	Clip	43	7132D150	Field, 120V
9	80201180	Screw	27	80201270	(2) Screw	44	7132A150	Field, 230V
10	80201320	Safety Ring	28	77319262	Connection Cable, 120V	45	80900092	Motor Housing, 120V
11	80200582	Notched Pin	29	80600060	Connection Cable, 230V	46	7132A200	Motor Housing, 230V
12	83000036	O-Ring	30	80600143	Switch, 120V	47	80500010	Condensator
13	80201449	(4) Screw, 120V	31	80600125	Switch, 230V	48	7132A695	Handle Assembly
	80201284	(4) Screw, 230V	32	80410152	Ball Bearing	49	73320210	Contact Washer
14	80410031	Bearing	33	71323430	Gear		82000058	Seal, Gear Box
15	7132A610	Gear Cap	34	80200601	Key		80900119	Grease Chamber
16	71323400	Gear Housing		80020504	Fitting Washer			
17	7132A470	Gear		80201322	Locking Ring			