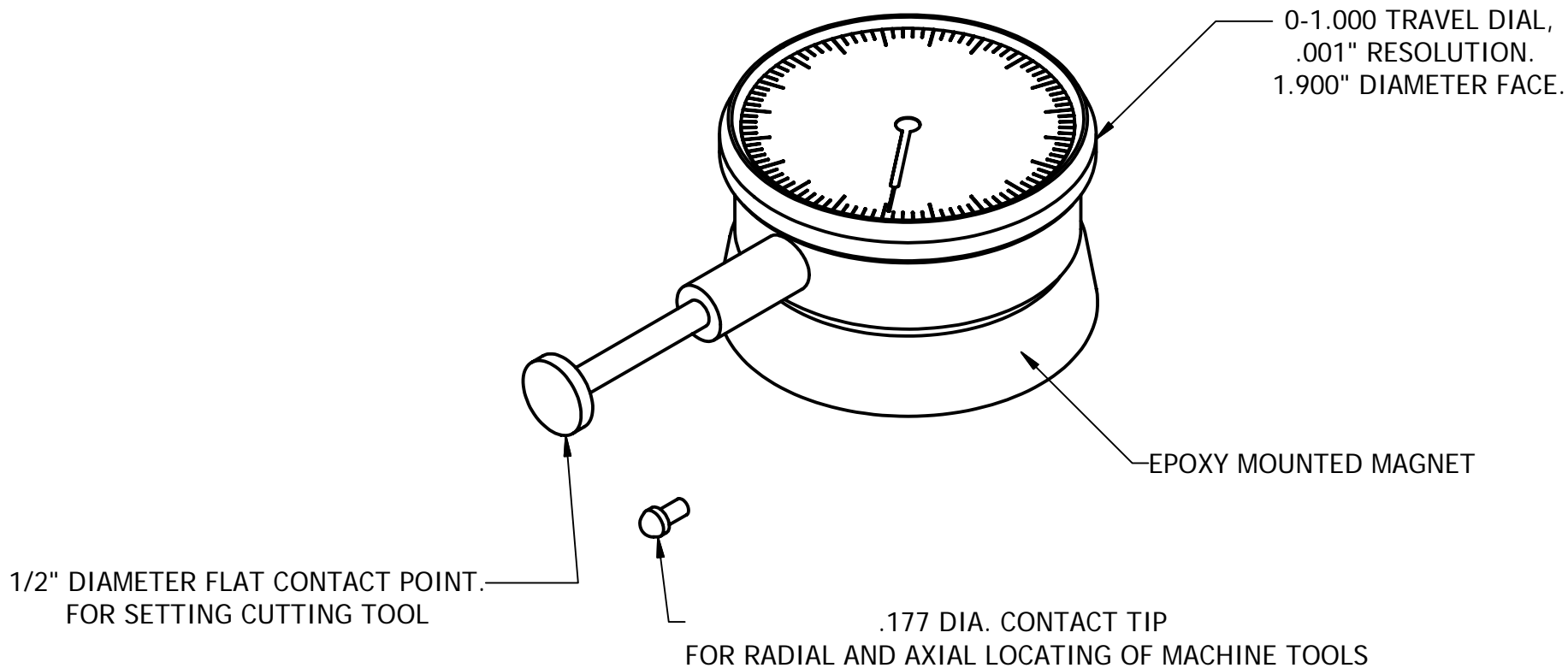




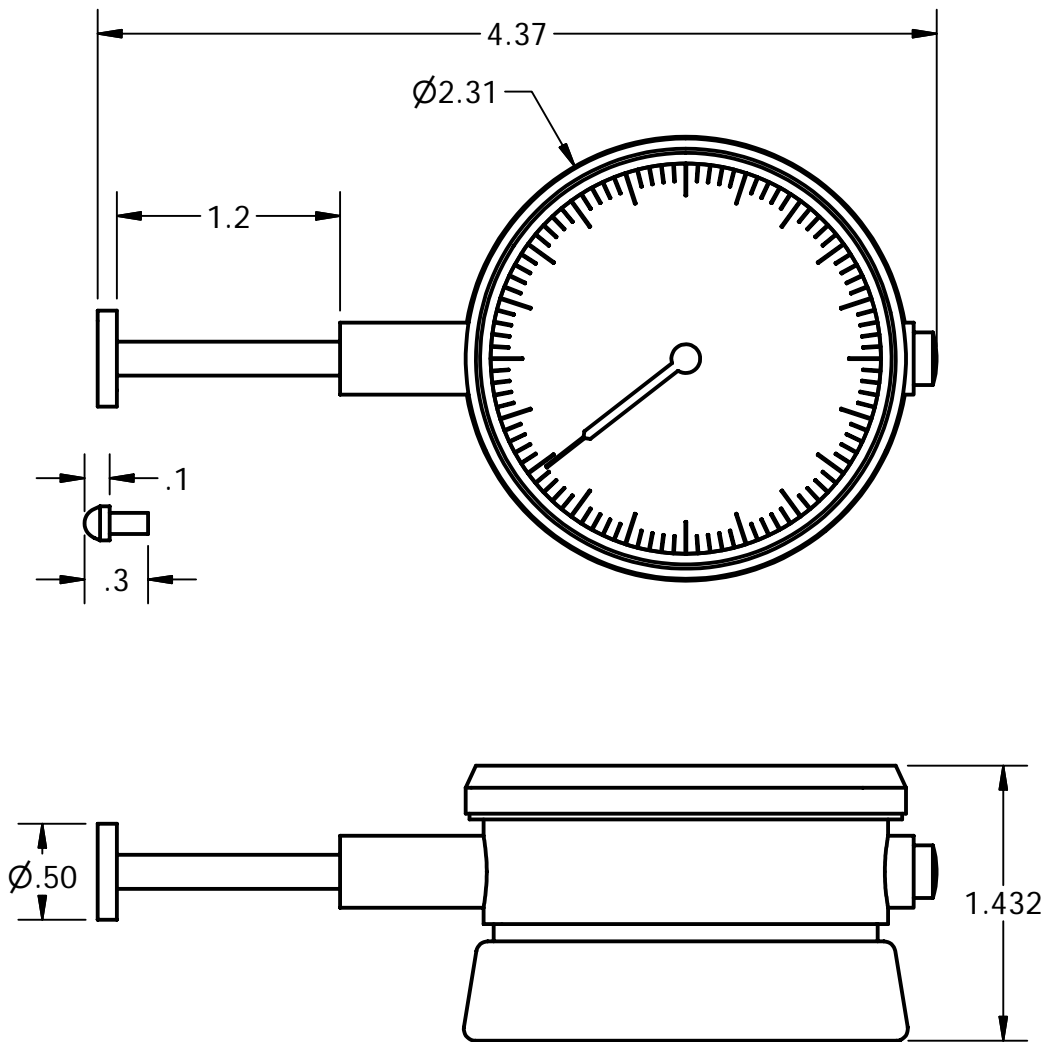
CLIMAX®

Portable Machine Tools, Inc.



0 TO 1.000" MAGNETIC BACK TRAVEL DIAL INDICATOR

P/N 44715



EXCEPT AS NOTED
DIMENSIONS ARE IN INCHES
PER ASME Y14.5

.X ± .030
.XX ± .010
.XXX ± .005
ANGLES ± .5°

ADDITIONAL INFORMATION AND
SPECIFICATIONS REQUIRED TO
MANUFACTURE THIS PART ARE
PROVIDED IN CLIMAX SPEC, P100



CLIMAX Portable Machine Tools, Inc.
Newberg, OR USA 97132

MATERIAL:

DRAWN:

CNC

DATE:

8/18/2005

CHECKED:

DATE:

SIZE
A

CAGE CODE:
15509

DWG NO:

44715

POCKET

COSMETIC CLASS
EXCEPT AS NOTED

A

APPROVED:

DATE:

CAD/CAM STD 4-3D

SCALE: **FULL**

SHEET **1** OF **1**