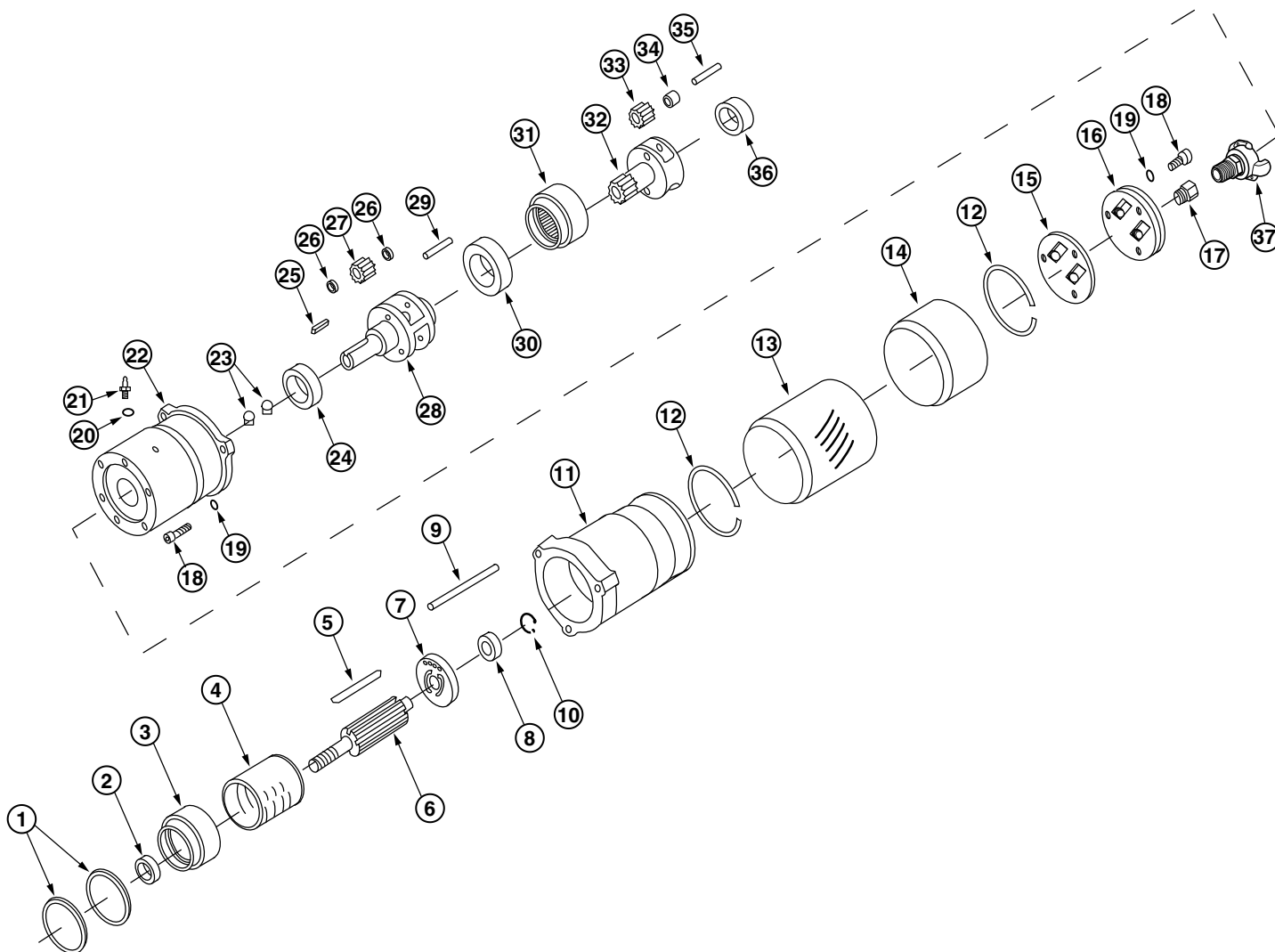


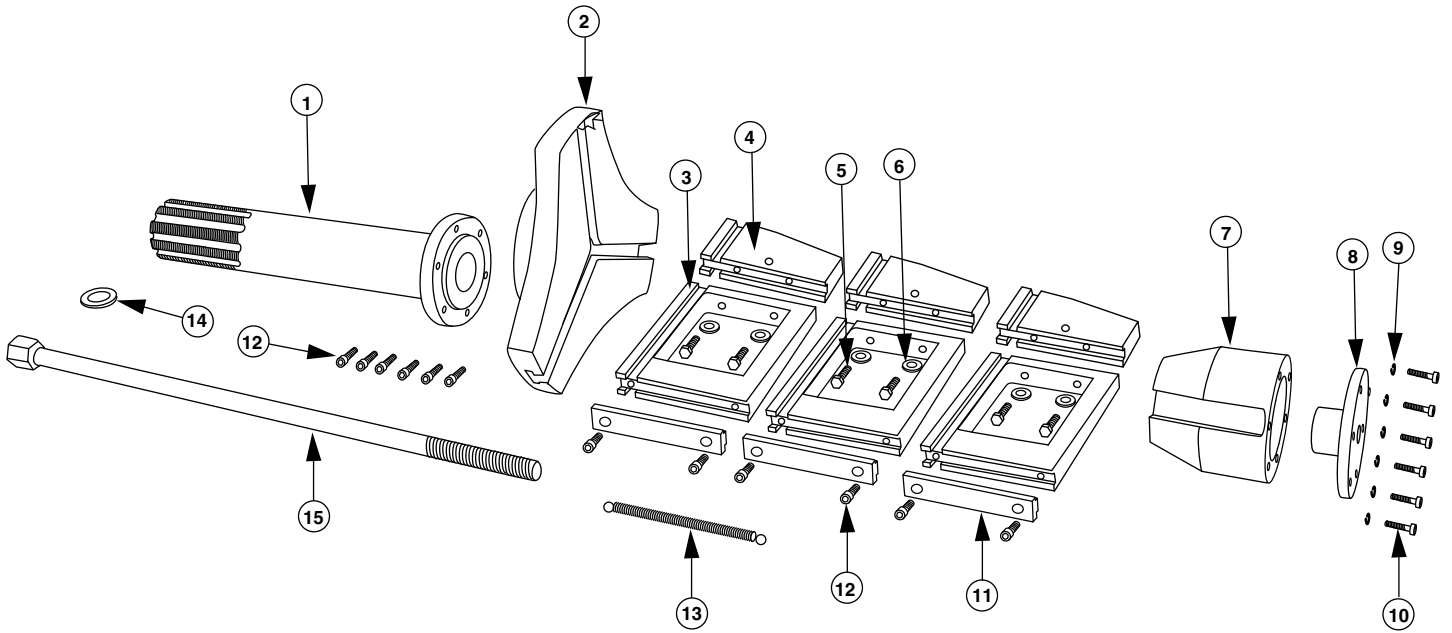
Reference No.	Part No.	Description	Quantity	Reference No.	Part No.	Description	Quantity	Reference No.	Part No.	Description	Quantity
1	HD-360-621	Centershaft	1	24	HD-360-770	Air Motor Adapter	1	50	HD-360-679	Feed Handle	4
2	500-1071	3/8"-16 x 1" Socket Head Cap Screw	6	25	HD-360-772	5/16"-18 x 1-1/2" Socket Head Cap Screw	10	51	260-562	Feed Handle Knob	4
3	HD-360-625	Lift Collar	1	26	HD-360-771	Driveshaft	1	52	500-1071	3/8"-16 x 1" Socket Head Cap Screw	14
4	HD-360-626	Eyebolt	2	27	160-452	Driveshaft Seal	1	53	HD-360-682	Feed Nut Thrust Bearing	1
5	HD-360-627	Hex Nut	2	28	HD-360-657	Front Driveshaft Bearing	1	54	HD-360-683	Feed Nut	1
6	HD-360-628	Draw Rod	1	29	HD-360-658	Driveshaft Thrust Bearing	2	55	HD-360-684	Helical Gear, Feed Nut	1
7	HD-360-629	Washer - Draw Rod	1	30	HD-360-659	Steel Worm	1	56	500-1421	1/4"-20 x 1" Socket Head Cap Screw	4
8	HD-360-637	Face Plate, 24" Diameter	4	31	HD-360-660	3/16" x 1-3/4" Keystock	1	57	HD-360-686	End Cap Bearing	1
9	HD-360-754	Face Plate, 30" Diameter	4	32	HD-360-661	Inner Race	1	58	HD-360-687	End Cap	1
10	HD-360-638	Seal	1	33	HD-360-662	Rear Driveshaft Bearing	1	59	500-1071	3/8"-16 x 1" Socket Head Cap Screw	7
11	HD-360-639	1/2"-13 x 2" Socket Head Cap Screw	8	34	HD-360-663	Feed Shaft	1	60	HD-360-689	1/2"-14 NPT Plug	1
12	HD-360-640	Tool Block, 24" Face Plate		35	HD-360-664	Rear Housing	1	61	HD-360-690	Centershaft Lock	1
13	HD-360-755	Tool Block, 30" Face Plate		36	HD-360-665	Housing Seal	2	62	HD-360-691	5/16"-18 x 3/4" Socket Head Cap Screw	6
14	500-1071	3/8"-16 x 1" Socket Head Cap Screw	3	37	HD-360-666	Inside Thrust Washer	1	63	HD-360-692	Hoist Ring	2
15	HD-360-643	3/8"-16 x 1-1/4" Socket Head Cap Screw	3	38	HD-360-667	Feed Shaft Bearing	2	64	211-0480	Air Motor	1
16	HD-360-644	Access Cap	1	39	HD-360-668	Feed Shaft Thrust Bearing	2	65	95690	3/4"-14 NPT Drop Swivel	1
17	HD-360-645	10-24 x 5/8" Socket Head Cap Screw	4	40	HD-360-669	Feed Shaft Spacer, Long	1	66	HS75-665	3/4"-14 NPT Claw Fitting	1
18	HD-360-646	O-Ring	1	41	HD-360-670	Helical Gear, Feed Shaft	1	67	R4800-565	3/4"-14 NPT Air Strainer Fitting	1
19	HD-360-647	Front Housing	1	42	HD-360-671	Feed Shaft Spacer, Short	1	68	215-2012	Claw Fitting Lock Pin	1
20	HD-360-648	Center Hub Bearing	2	43	HD-360-672	1/8" x 1" Keystock	1	69	215-2020	Claw Fitting Rubber Seal	1
21	HD-360-649	Housing Bearing	2	44	HD-360-673	Outside Thrust Washer	1	70	107-54	1/4" x 1" Keystock	1
22	HD-360-650	Center Hub	1	45	HD-360-674	Feed Hub Spacer	1	71	HD-360-698	Feed Nut Thrust Bearing	1
23	HD-360-651	Worm Gear	1	46	HD-360-675	Feed Hub	1			Spacer	1
	HD-360-652	1/2"-13 x 1-1/4" Socket		47	HD-360-676	1/8" x 1" Keystock	1				
				48	HD-360-677	Retainer Bushing	1				
				49	500-1421	1/4"-20 x 1" Socket Head Cap Screw	1				

## 4800 Air Motor Part No. 211-0480



Item No.	Part No.	Description	Quantity	Item No.	Part No.	Description	Quantity
1	R4800-81	Motor Retaining Washer	2	20	R3-92A	Grease Fitting Washer	1
2	R3H-24	Front Rotor Bearing	1	21	R1-188	Grease Fitting	2
3	R4800-11	Front End Plate	1	22	R4801U-37	Gear Case	1
4	R4800-3	Cylinder	1	23	R4800-407	Internal Gear Key	2
5	R4800-42-5	Vane (set of 5)	1		R4801U-A108	Spindle Assembly	1
6	R4800U-53	Rotor	1	24	MR-988	Spindle Front Bearing	1
7	R4800-12	Rear End Plate	1	25	107-54	Spindle Key	1
8	R2-24A	Rear Rotor Bearing	1	26	R4801U-510	Spindle Planet Gear Bearing	6
9	R4800-98	Cylinder Dowel	1	27	R4801U-A9	Spindle Planet Gear	3
10	R4800-119	Rear Rotor Bearing Retainer	1	28	R4801U-108	Spindle	1
11	R4800-40	Motor Housing	1	29	R4801U-191	Spindle Planet Gear Shaft	3
12	R4800-323	Exhaust Deflector Retainer Ring	2	30	R4800-97	Spindle Rear Bearing	1
13	R4800-23	Exhaust Deflector	1	31	R4800-406	Internal Gear	1
14	R4800-23	Muffler	1		R4801U-A216	Gear Head Assembly	1
15	R4800-283	Backhead Gasket	1	32	R4801U-216	Gear Head	1
16	R4800-102	Backhead	1	33	R4800-17	Rotor Pinion	1
17	R4800-565	Air Strainer	1	34	R4801U-10	Gear Head Planet Gear	2
18	5080-638	Cap Screw	3	35	R4800-654	Gear Head Planet Gear Bearing	2
19	8U-58	Lock Washer	3	36	R4800-191	Gear Head Planet Gear Shaft	2
				37	W44-97	Gear Head Bearing	1
				38	215-1011	Claw Fitting	1

## Wedge System Assembly Part No. HD-360-751

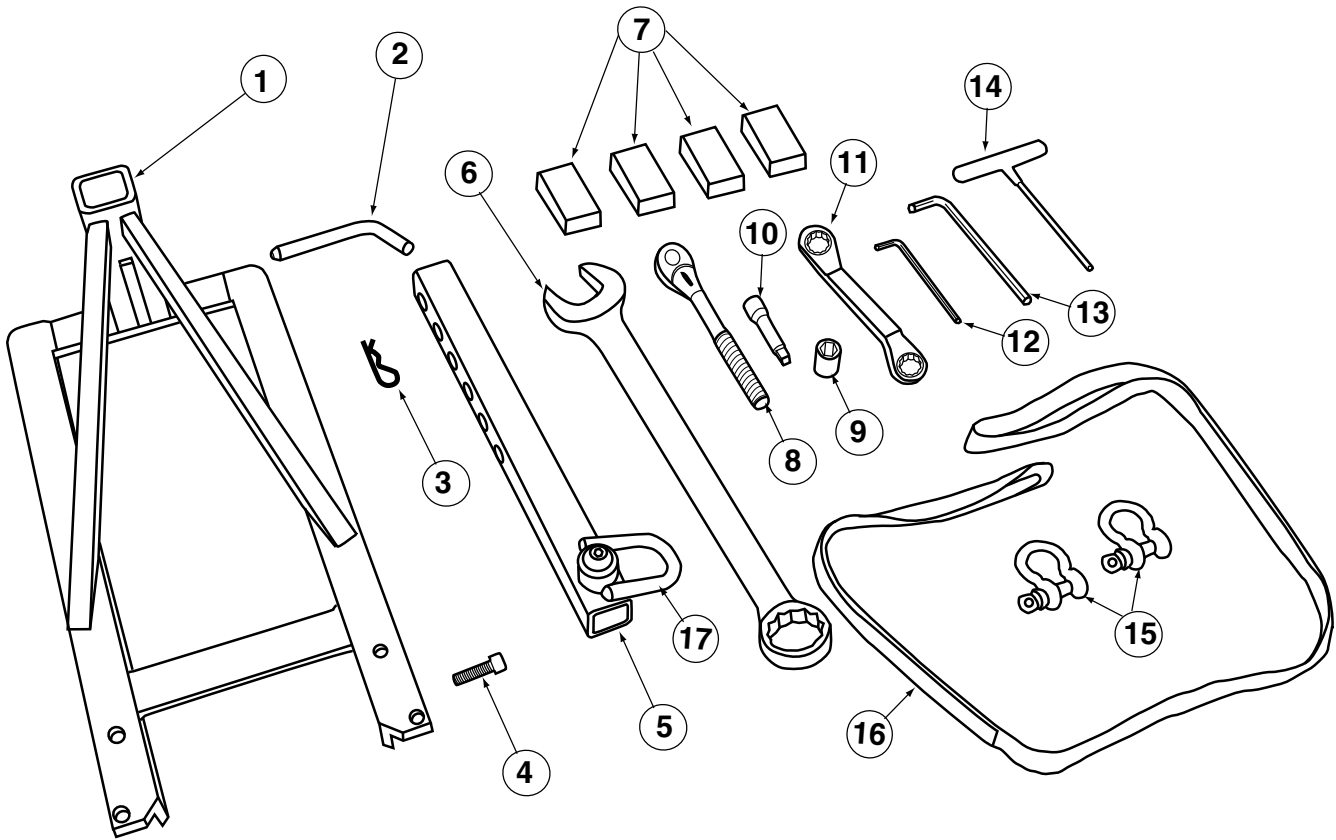


Reference No.	Part No.	Description	Quantity
1	HD 360-621	Center Shaft	1
2	HD 360-725	7.5" Wedge Guide	1
	HD 360-726	15" Wedge Guide	1
	HD 360-727	24" Wedge Guide	1
	HD 360-730	All Three Wedge Guide Sizes	1
3	See Chart	Extension Plate	3
4	HD 360-630	Base Expansion Wedge	3
5	HD 360-632	7/16" - 14 x 1-1/2" Extension Plate Bolt	6
	HD 360-620	7/16" - 14 x 1-1/4" Extension Plate Bolt for HD-360-740 only	6
6	HD 360-633	7/16" Extension Plate Flat Washer	6
7	HD 360-623	Guide Cone	1
8	HD 360-728	Guide Cone End Plate	1
9	HD 360-720	3/8" Lock Washer	6
10	HD 360-622	3/8"-16 x 1-1/4" Socket Head Cap Screw	6
11	HD 360-634	Wear Bar	3
12	HD 360-635	3/8"-16 x 1" Socket Head Cap Screw	12
13	HD 360-636	Spring	1
14	HD 360-629	Draw Rod Washer	1
15	HD 360-628	Draw Rod	1

### Wedge Extension Plates

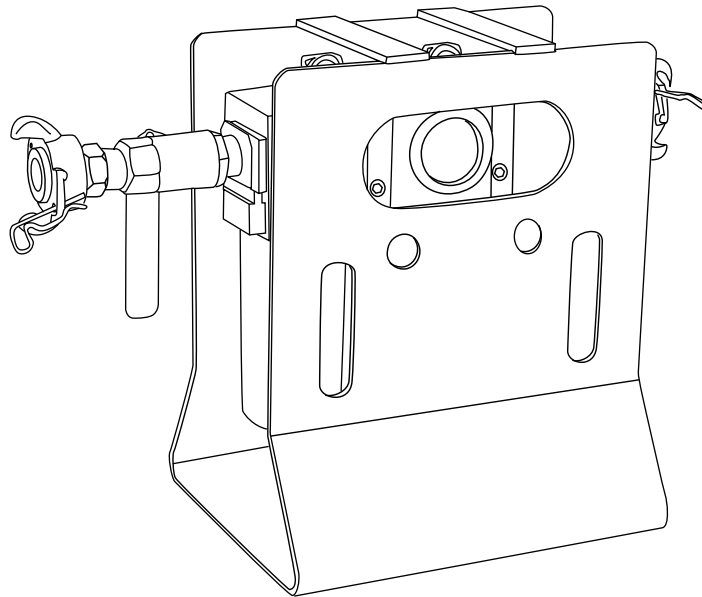
Part No.	Inches	Pipe Size Coverage		Quantity
		MM		
HD 360-740	8 - 10	203.2 - 254.0		3
HD 360-741	10 - 12	254.0 - 304.8		3
HD 360-742	12 - 14	304.8 - 355.6		3
HD 360-743	14 - 16	355.6 - 406.4		3
HD 360-744	16 - 18	406.4 - 457.2		3
HD 360-745	18 - 20	457.2 - 508.0		3
HD 360-746	20 - 22	508.0 - 558.8		3
HD 360-747	22 - 24	558.8 - 609.6		3
HD 360-748	24 - 26	609.6 - 660.4		3
HD 360-749	26 - 28	660.4 - 711.2		3
HD 360-750	28 - 30	711.2 - 762.0		3

## Lift Kit/Tools

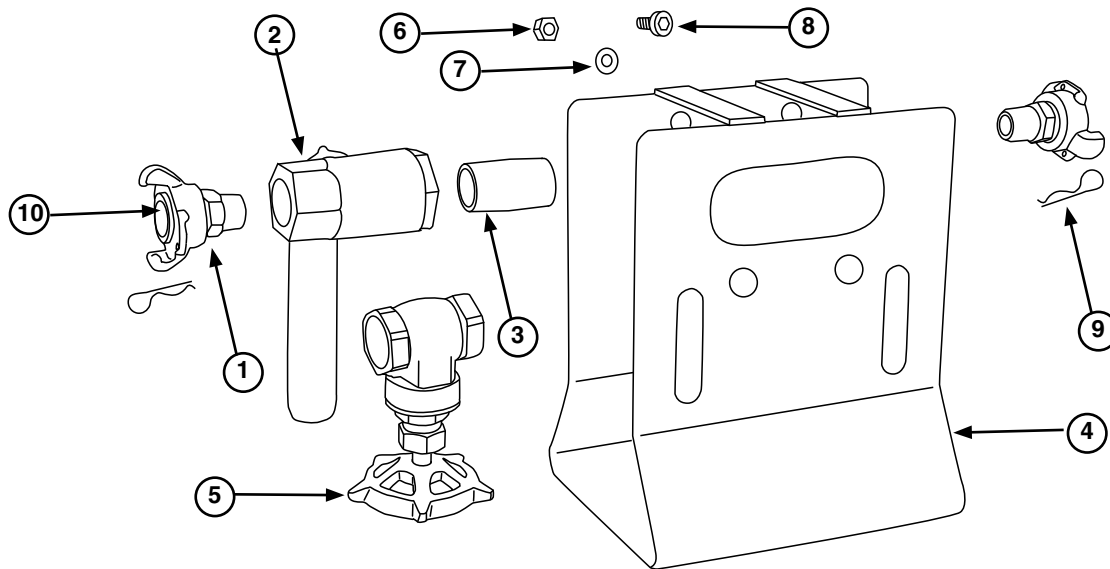


Reference No.	Part No.	Description	Quantity	Reference No.	Part No.	Description	Quantity
1	HD 360-700	Lifting Frame	1	9	HD 360-708	5/8" Socket	1
2	HD 360-701	Hitch Pin	1	10	HD 360-709	3/8" Extension	1
3	HD 360-702	Spring Clip	1	11	HD 360-710	5/8" x 3/4" Ratcheting Box Wrench	1
4	HD 360-703	3/8"-16 x 1-1/2" Socket Head Cap Screw	4	12	HD 360-711	3/16" Hex Key (long arm)	1
5	HD 360-704	Lift Arm	1	13	HD 360-712	5/16" Hex Key (long arm)	1
6	HD 360-705	1-1/2" Combination Wrench	1	14	HD 360-713	3/16" T-Handle Hex Key	1
7	HD 360-706	Tool Holder Alignment Blocks	4	15	HD 360-714	3/8" Shackle	2
8	HD 360-707	3/8" Ratchet Wrench	1	16	HD 360-715	Nylon Sling	1
				17	HD 360-716	Lifting Eye	1

## Air Caddy/Hose, AC Assembly Part No. 215-2025

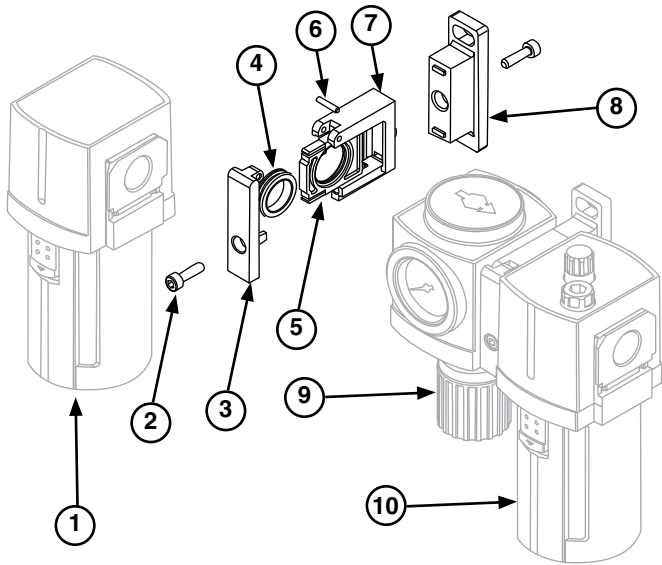


### Air Caddy Frame/Valves/Fittings



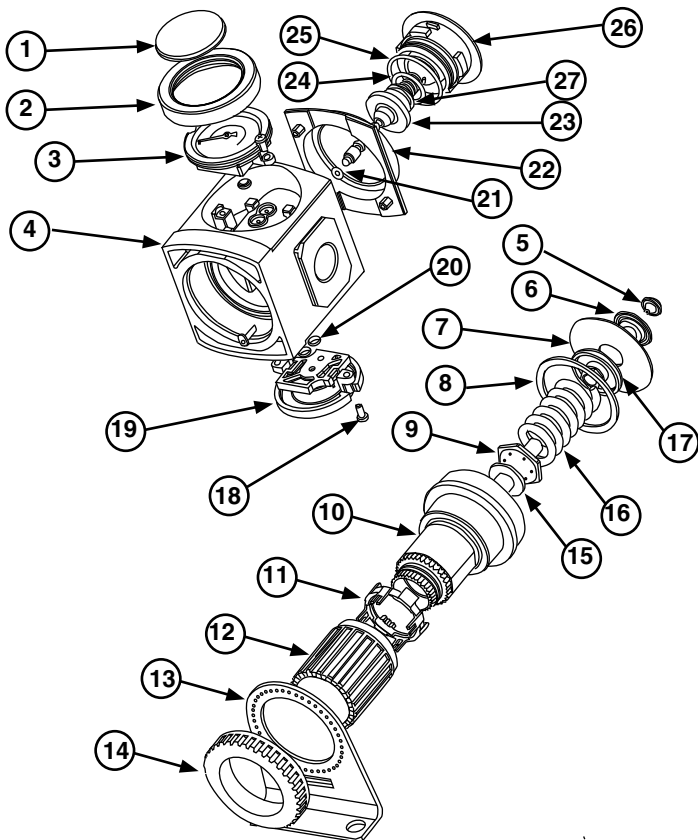
Item No.	Part No.	Description	Quantity	Item No.	Part No.	Description	Quantity
1	215-1012	Claw Fitting	2	6	215-2017	5/16"-18 Self-Locking Nut	4
2	215-2014	Ball Valve	1	7	215-2018	5/16" Washer	8
3	215-2013	Pipe Nipple	1	8	215-2019	5/16"-18 x 1" Socket	4
4	215-2016	Frame	1	9	215-2012	Head Cap Screw	2
5	215-2015	Gate Valve, Optional	1	10	215-2020	Safety Clip	2
						Claw Fitting Rubber Seal	

## Air Caddy Mounting Bracket Assembly Part No. 215-2080



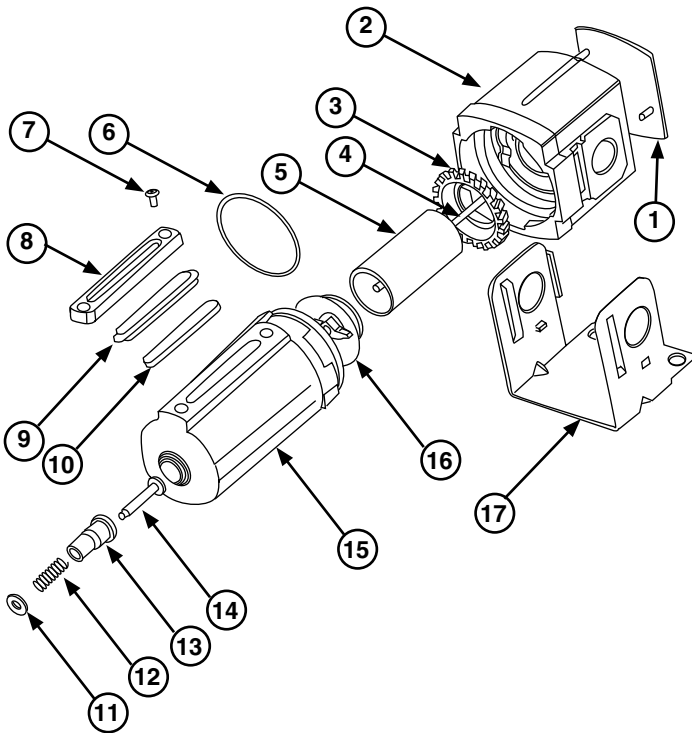
Item No.	Part No.	Description	Quantity
1	215-2070	Filter	1
2	215-2071	Socket Head Cap Screw	4
3	215-2072	Spacer Cover	2
4	215-2073	Spacer O-Ring	2
5	215-2074	Spacer	2
6	215-2075	Pin	2
7	215-2076	Spacer Housing	2
8	215-2077	T-Bracket	2
9	215-2078	Regulator	1
10	215-2079	Lubricator	1

## Air Caddy Regulator Assembly Part No. 215-2100



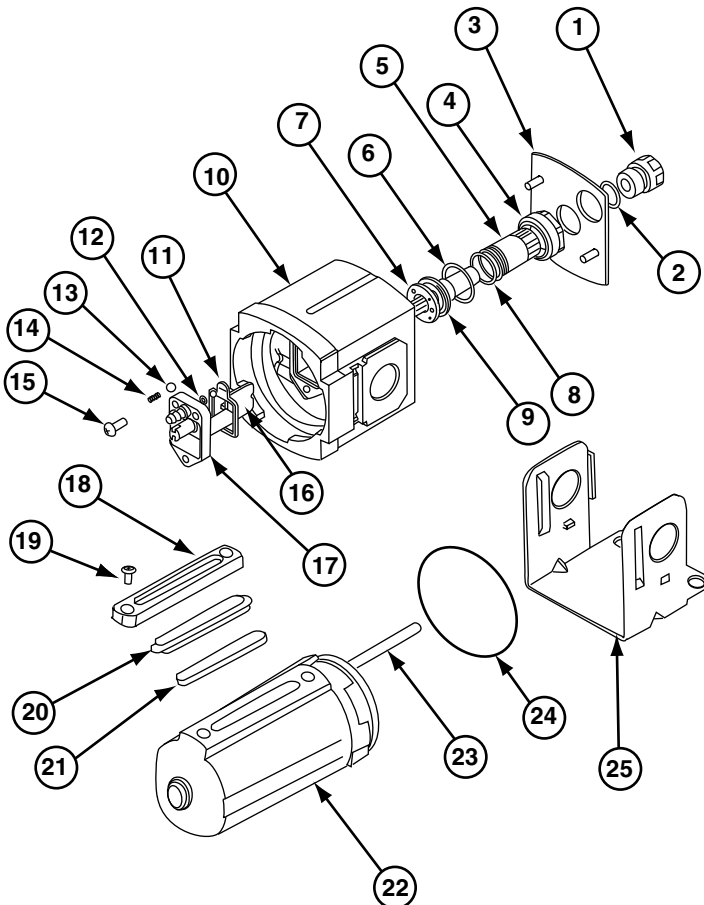
Item No.	Part No.	Description	Quantity
1	215-2101	Gauge Cover	1
2	215-2102	Cover Ring	1
3	215-2103	Gauge	1
4	215-2104	Regulator Body	1
5	215-2105	Relief Valve Sheet	1
6	215-2106	Relief Valve	1
7	215-2107	Diaphragm	1
8	215-2108	Diaphragm Ring	1
9	215-2109	Adjusting Nut	1
10	215-2110	Bonnet	1
11	215-2111	Tamper Kit	1
12	215-2112	Handle	1
13	215-2113	L-Bracket	1
14	215-2114	Panel Mount Nut	1
15	215-2115	Adjusting Bolt	1
16	215-2116	Adjusting Spring	1
17	215-2117	Diaphragm Shell	1
18	215-2118	Bolt	2
19	215-2119	Built in check Valve/Block Cover	1
20	215-2120	Gauge O-Ring	1
21	215-2121	Stem O-Ring	1
22	215-2122	Upper Cover	1
23	215-2123	Valve	1
24	215-2124	Valve O-Ring	1
25	215-2125	Valve Guide O-Ring	1
26	215-2126	Valve Guide	1
27	215-2127	Valve Spring	1

## Air Caddy Filter Assembly Part No. 215-2130



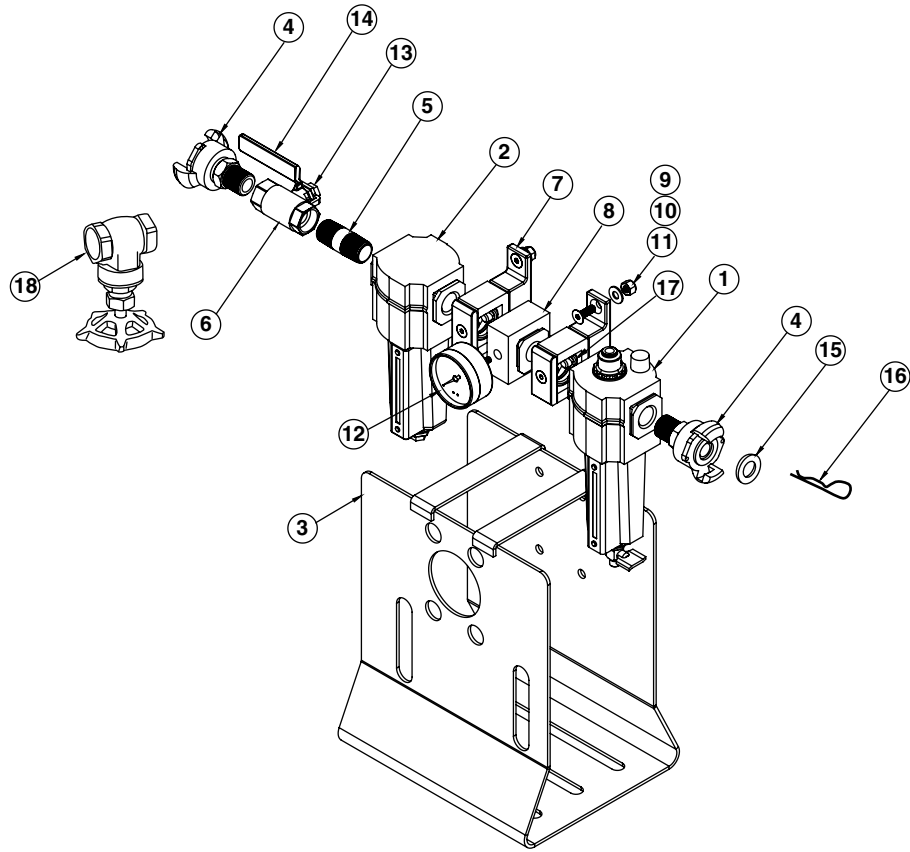
Item No.	Part No.	Description	Quantity
1	215-2131	Upper Cover	1
2	215-2132	Filter Body	1
3	215-2133	Deflector	1
4	215-2134	Baffle Shaft	1
5	215-2135	Filter Element	1
6	215-2136	Bowl O-Ring	1
7	215-2137	Bolt	2
8	215-2138	Sight Cover	1
9	215-2139	Sight Plate	1
10	215-2140	Sight Plate Gasket	1
11-14	215-2141	Manual Drain Assembly	1
15	215-2142	Filter Bowl	1
16	215-2143	Baffle	1
17	215-2144	C-Bracket	1

## Air Caddy Lubricator Assembly Part No. 215-2150



Item No.	Part No.	Description	Quantity
1	215-2151	Fill Cap	1
2	215-2152	Fill Cap O-Ring	1
3	215-2153	Upper Cover	1
4	215-2154	Sight Dome Housing	1
5	215-2155	Outer Sight Dome	1
6	215-2156	Inner Sight Dome O-Ring	1
7	215-2157	Nozzle Sheet	1
8	215-2158	Outer Sight Dome O-Ring	1
9	215-2159	Inner Sight Dome	1
10	215-2160	Lubricator Body	1
11	215-2161	Damper Guide Gasket	1
12	215-2162	Check Ball O-Ring	1
13	215-2163	Steel Ball, Large	1
14	215-2164	Spring	1
15	215-2165	Bolt	3
16	215-2166	Damper	1
17	215-2167	Damper Guide	1
18	215-2168	Sight Cover	1
19	215-2169	Bolt	2
20	215-2170	Sight Plate	1
21	215-2171	Sight Plate Gasket	1
22	215-2172	Lubricator Bowl	1
23	215-2173	Siphon Tube	1
24	215-2174	Bowl O-Ring	1
25	215-2175	C-Bracket	1

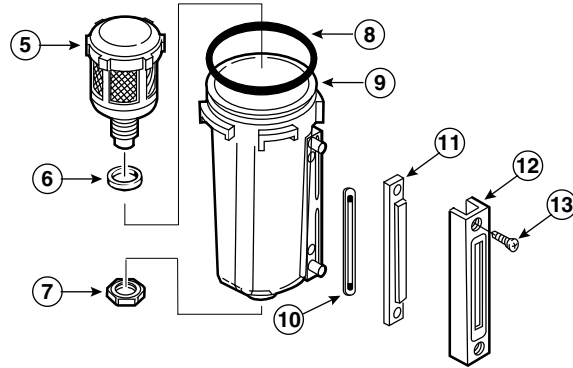
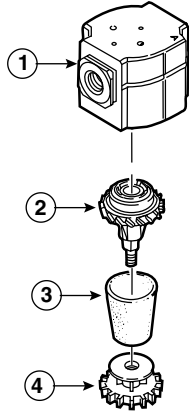
## Air Caddy Assembly, NAC Part No. 255-2025



ReferenceP No.N	art o.	Description	ReferenceP No.N	art o.	Description
1	255-2026	Lubricator Assembly	10	500-1032	(4) 1/4" Flat Washer
2	255-2027	Filter Assembly	11	255-2032	(4) 1/4" - 20 Hex Locknut
3	255-2028	Frame	12	255-2033	2" Pressure Gauge
4	215-1012	(2) 1/2" Claw Fitting, Male	13	255-2035	Valve Handle Nut
5	215-2013	1/2" NPT x 2" Nipple	14	255-2034	Valve Handle
6	215-2014	1/2" Ball Valve	15	215-2020	(2) Claw Fitting Rubber Seal
7	255-2029	(2) Mounting Bracket	16	215-2012	(2) Safety Clip
8	255-2030	Port Block	17	255-2036	(4) O-Ring
9	255-2031	(4) 1/4" - 20 x 3/4" Flat Socket Head Cap Screw	18	215-2015	Gate Valve, Optional



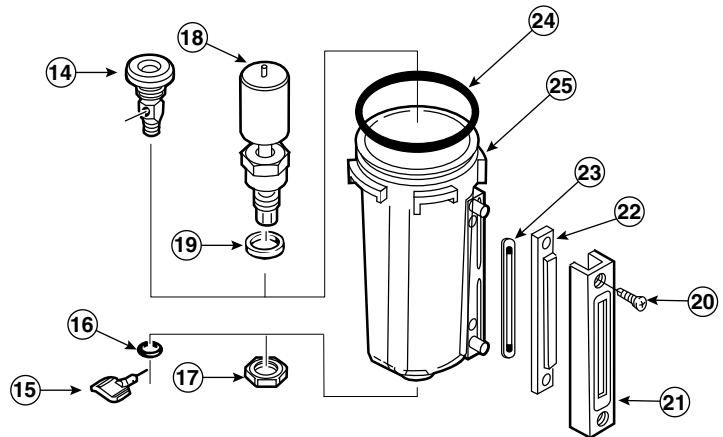
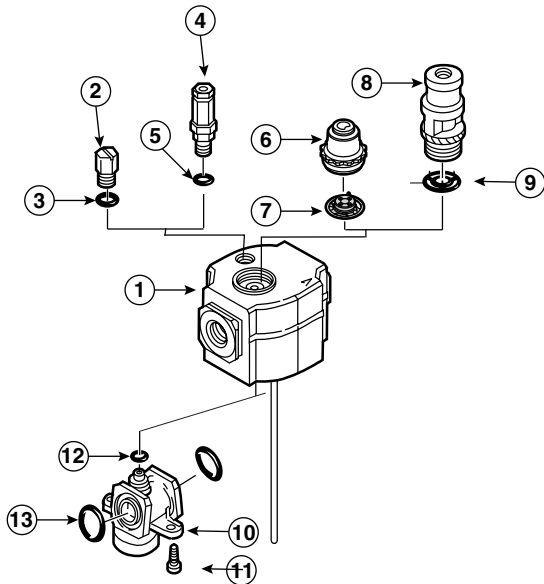
## Filter Assembly Part No. 255-2027



Reference No.	Part No.	Description
1	255-2100	Body
2	255-2101	Louver - Center Post
3	255-2102	Filter Element
4	255-2103	Baffle
5	255-2104	Automatic Drain Assembly
6	255-2105	Gasket
7	255-2106	Nut

Reference No.	Part No.	Description
8	255-2107	O-Ring
9	255-2108	Bowl
10	255-2109	Sight Glass Lens Seal
11	255-2110	Sight Glass Lens
12	255-2111	Sight Glass Clamp
13	255-2112	(2) Screw

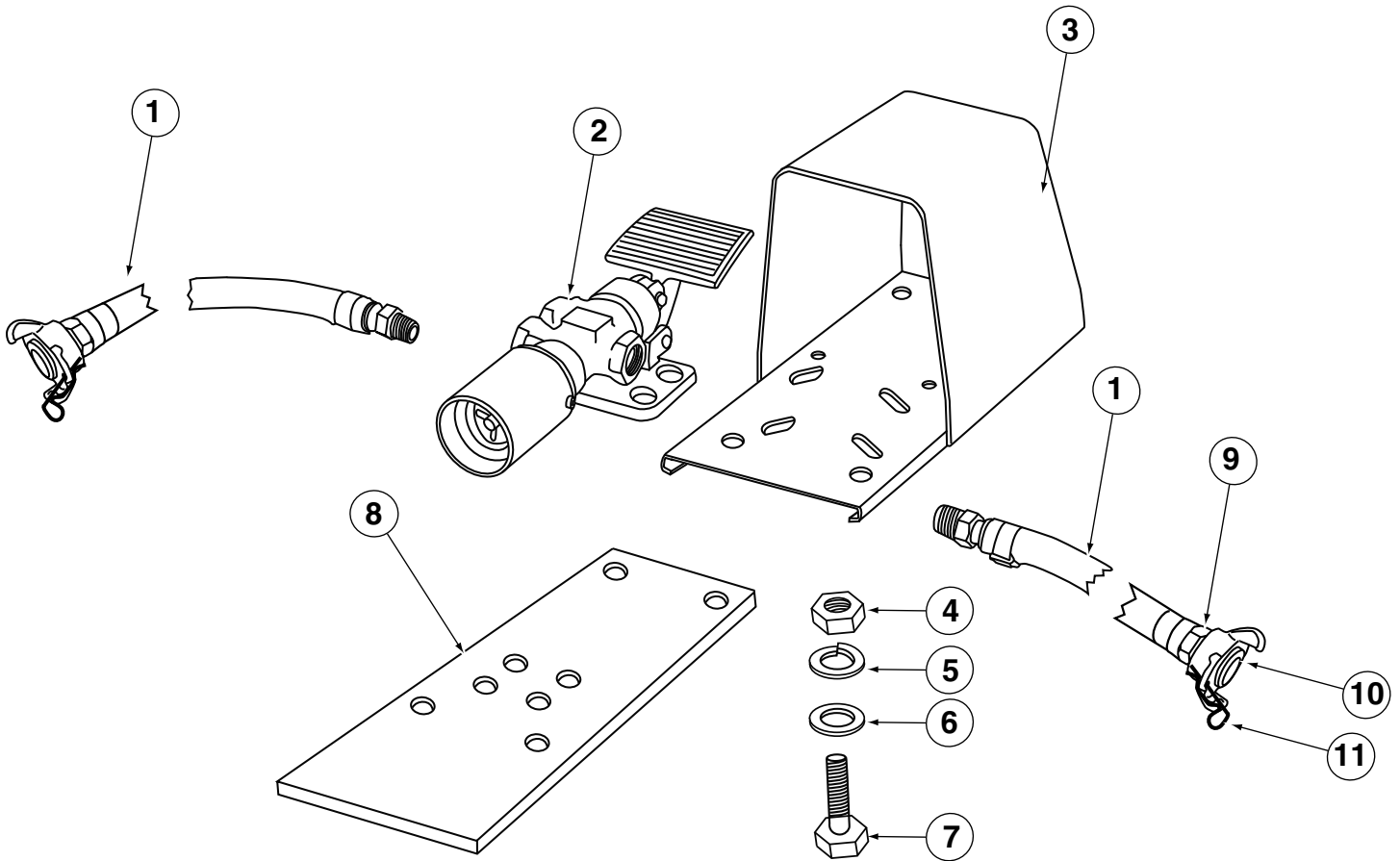
## Lubricator Assembly Part No. 255-2026



Reference No.	Part No.	Description
1	255-2201	Body
2	255-2202	Fill Plug
3	255-2203	O-Ring
4	255-2204	Quick Fill Cap
5	255-2205	O-Ring
6	255-2206	Sight Feed Dome
7	255-2207	Seal
8	255-2208	Sight Feed
9	255-2209	Seal
10	255-2210	Cartridge
11	255-2211	(2) Screw
12	255-2212	O-Ring
13	255-2213	(2) O-Ring

Reference No.	Part No.	Description
14	255-2214	Manual Drain
15	255-2215	Drain Valve
16	255-2216	O-Ring
17	255-2217	Nut
18	255-2218	Remote Fill
19	255-2219	Gasket
20	255-2220	(2) Screw
21	255-2221	Sight Glass Clamp
22	255-2222	Sight Glass Lens
23	255-2223	Sight Glass Lens Seal
24	255-2224	O-Ring
25	255-2225	Bowl

## Foot Control Valve Part No. 360-732



Reference No.	Part No.	Description	Qty
1	HS50-510	Air Hose	2
2	360-7310	Foot Control Valve	1
3	360-7330	Guard	1
4	919-0001	3/8"-16 Hex Nut	4
5	500-1077	3/8" Lock Washer	8
6	500-1068	3/8" Flat Washer	8
7	910-1001	3/8"-16 x 1" Hex Head Bolt	8
8	360-7380	Base Plate	1
9	215-1011	Claw Fitting	2
10	215-2020	Rubber Seal Washer	2
11	215-2012	Retainer Clip	2