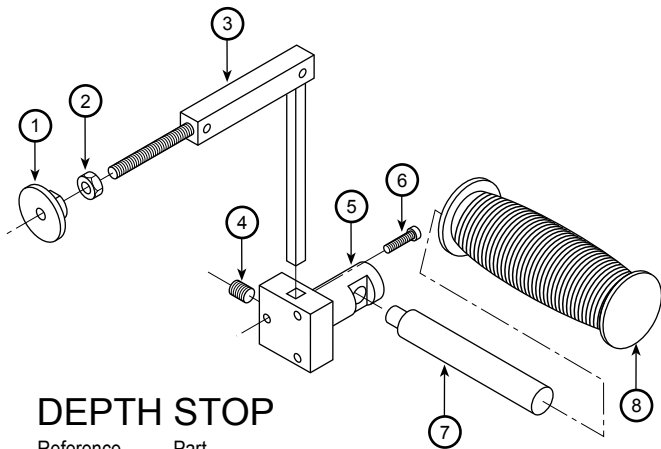


Reference No.	Part No.	Description
1	HS 083258	(4) Socket Head Set Screw
2	HS 001120	End Cap
3	HS 001121	Bolt
4	HS 001122	(4) Flat Socket Cap Screw
5	HS 001123	Retainer Plate
6	HS 0R10ZZ	Roller Bearing
6A	211-0385	Roller Bearing
7	HS 001124	Rear End Plate
8	HS 001125	Spacer
9	HS 001126	Rotor
10	HS 001127	(6) Vane
11	HS 001128	Front End Plate
12	HS 001129	Retainer Ring
13	HS 001130	Drive Shaft
14	HS 001131	Keystock
15	HS 001132	Pinion Gear
16	HS 001133	Shie Id
17	HS 001134	Housing
18	MS 001135	Muffer Pad
19	HS 001816	Needle Bearing
20	HS 001136	Gear Housing
21	HS 000400	Grease Fitting
22	HS 008101	Needle Bearing
23	HS 001212	Needle Bearing
24	HS 001137	Bearing Cap
25	HS 102458	(4) Socket Head Cap Screw
26	HS 001138	Main Gear
26A	HS 001220	Thrust Bearing
27	HS 001139	Keystock
28	HS 001140	Handle Base
29	HS 102458	(3) Socket Head Cap Screw
30	HS 001141	Handle
31	HS 001142	Rubber Grip
32	HS 001143	Throttle Handle
33	HS 102458	(4) Socket Head Cap Screw

Reference No.	Part No.	Description
34	HS 1009786	Throttle Pin
35	HS 1008088	Latch Pln
36	HS 1017083	Latch
37	HS 1024781	Push Rod Assembly
38	HS 1017082	Throttle Lever
39	HS 1009039	Nozzle
40	HS 1014838	Ball
41	HS 1014687	Spring
42	HS 1005094	Screen
43	HS 1014645	Hose Adapter
44	HS 104125	(2) Socket Head Cap Screw
45	HS 001144	Chip Shield Collar
46	HS 001145	Chip Shield Base
47	HS 102412	(3) Button Head Cap Screw
48	HS 001146	Chip Shield
49	HS 001147	Swivel
50	HS 001148	Male Adapter Plug
51	See Page 2	Tool Holder
52	903-0004	5/16"-18 x 5/16" Socket Head Set Screw
53	903-0005	5/16"-18 x 1/2" Socket Head Set Screw



### DEPTH STOP

Reference No.	Part No.	Description
1	HS 001260	Stop Pad
2	HS 003824	Jam Nut
3	HS 001261	Adjustment Bracket Assembly
4	HS 561856	(2) Socket Head Set Screw
5	HS 001262	Bracket/Handle Base
6	HS 102410	Socket Head Cap Screw
7	HS 001263	Handle
8	HS 001264	Rubber Grip

51 Beveling	Head Size	Inches I.D. - O.D.	MM I.D. - O.D.
		HS 125-3/8	.500 - 1.375
	HS 150-3/8	.700 - 1.500	17.8 - 38.1
	HS 162-1/2	.500 - 1.700	12.7 - 43.2
	HS 175-1/2	.700 - 1.750	15.2 - 44.5
	HS 200-1/2	.840 - 2.000	21.3 - 50.8
	HS 225-1/2	1.100 - 2.250	27.9 - 57.2
	HS 250-1/2	1.340 - 2.500	34.0 - 63.5
	HS 275-1/2	1.600 - 2.750	40.6 - 69.9
	HS 300-1/2	1.840 - 3.000	46.7 - 76.2

51 Facing	Head Size	Inches I.D. - O.D.	MM I.D. - O.D.
		HSF 150-3/8	.500-1.625
	HSF 200-1/2	.500 - 2.000	12.7 - 50.8
	HSF 250-1/2	1.040 - 2.500	26.4 - 63.5
	HSF 300-1/2	1.500 - 3.000	38.1 - 76.2

51 Membrane Removal O.D. Clean	Membrane Removal Head	O.D. Clean Head	Inches I.D. - O.D.	MM I.D. - O.D.
		HSM .875	HSDC .875	.875
	HSM 1.000	HSDC 1.000	1.000	25.4
	HSM 1.125	HSDC 1.125	1.125	28.6
	HSM 1.250	HSDC 1.250	1.250	31.8
	HSM 1.375	HSDC 1.375	1.375	34.9
	HSM 1.500	HSDC 1.500	1.500	38.1
	HSM 1.750	HSDC 1.750	1.750	44.5
	HSM 2.000	HSDC 2.000	2.000	50.8
	HSM 2.125	HSDC 2.125	2.125	54.0
	HSM 2.250	HSDC 2.250	2.250	57.2
	HSM 2.375	HSDC 2.375	2.375	60.3
	HSM 2.500	HSDC 2.500	2.500	63.5
	HSM 2.750	HSDC 2.750	2.750	69.9
	HSM 3.000	HSDC 3.000	3.000	76.2

**3 Side Insert Beveling and Facing**

3/8 Insert  
Part No. NS3/8N  
Screw  
Part No. SCR0832

1/2 Insert  
Part No. INS1/2N  
Screw  
Part No. SCR1032

**4 Side Inset Membrane Removal and O.D. Clean**

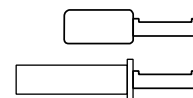
3/8 Insert  
Part No. INS3/8SQN  
Screw  
Part No. SCR410

**Round Insert Membrane Removal and O.D. Clean**

Round Insert  
Part No. INSR  
Screw  
Part No. SCRMPR

### Pilots

HS - Beveling and Facing  
HSM - Membrane Removal and O.D. Clean



#### Pilot O.D.

Inches	mm	Inches	mm
.500	12.7	1.660	42.2
.520	13.2	1.680	42.7
.540	13.7	1.700	43.2
.560	14.2	1.720	43.7
.580	14.7	1.740	44.2
.600	15.2	1.760	44.7
.620	15.7	1.780	45.2
.640	16.3	1.800	45.7
.660	16.8	1.820	46.2
.680	17.2	1.840	46.7
.700	17.8	1.860	47.2
.720	18.3	1.880	47.8
.740	18.8	1.900	48.3
.760	19.3	1.920	48.8
.780	19.8	1.940	49.3
.800	20.3	1.960	49.8
.820	20.8	1.980	50.3
.840	21.3	2.000	50.8
.860	21.8	2.020	51.3
.880	22.4	2.040	51.8
.900	22.9	2.060	52.3
.920	23.2	2.080	52.8
.940	23.9	2.100	53.3
.960	24.4	2.120	53.8
.980	24.9	2.140	54.4
1.000	25.4	2.160	54.9
1.020	25.9	2.180	55.4
1.040	26.4	2.200	55.9
1.060	26.9	2.220	56.4
1.080	27.4	2.240	56.9
1.100	27.9	2.260	57.4
1.120	28.5	2.280	57.9
1.140	29.0	2.300	58.4
1.160	29.5	2.320	58.9
1.180	30.0	2.340	59.4
1.200	30.5	2.360	59.9
1.220	31.0	2.380	60.5
1.240	31.5	2.400	61.0
1.260	32.0	2.420	61.5
1.280	32.5	2.440	62.0
1.300	33.0	2.460	62.5
1.320	33.5	2.480	63.0
1.340	34.0	2.500	63.5
1.360	34.5	2.520	64.0
1.380	35.1	2.540	64.5
1.400	35.6	2.560	65.0
1.420	36.1	2.580	65.5
1.440	36.6	2.600	66.0
1.460	37.1	2.620	66.5
1.480	37.6	2.640	67.1
1.500	38.1	2.660	67.6
1.520	38.6	2.680	68.1
1.540	39.1	2.700	68.6
1.560	39.6	2.720	69.1
1.580	40.1	2.740	69.6
1.600	40.6	2.760	70.1
1.620	41.1	2.780	70.6
		2.800	71.1

To order pilots, use the correct prefix for the type of pilot you need and add the size from the first column (i.e. HS 0.500 or HSM 0.500).

Heads with round inserts have an "R" suffix designation (i.e. HSMR 0.875, HSDCR 0.875).